

# eny

Eny Lee Parker studio is located in Maspeth, Queens.  
all ceramic pieces are handmade in the studio  
wiring for lighting and upholstery are also done locally.  
pieces can be customizable upon request for an additional fee.

leadtimes are 10-14 weeks \*

studio hours | Monday - Friday, 11AM-6PM

studio visits available by appointment

commission inquiries email to [eny@enyleeparker.com](mailto:eny@enyleeparker.com)

all general inquiries to [info@enyleeparker.com](mailto:info@enyleeparker.com)

please see our Terms & Conditions at  
[www.enyleeparker.com/terms-and-conditions](http://www.enyleeparker.com/terms-and-conditions)



# Oo lamp

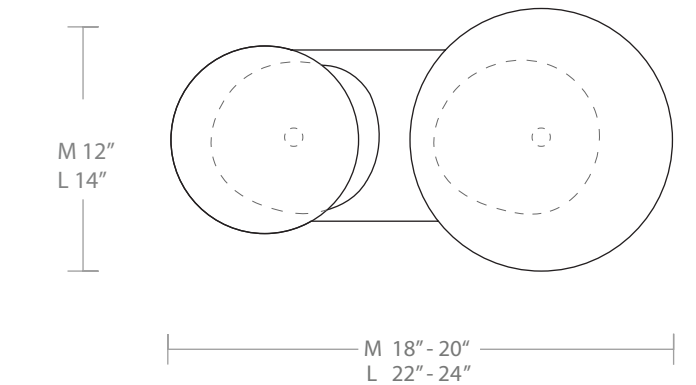
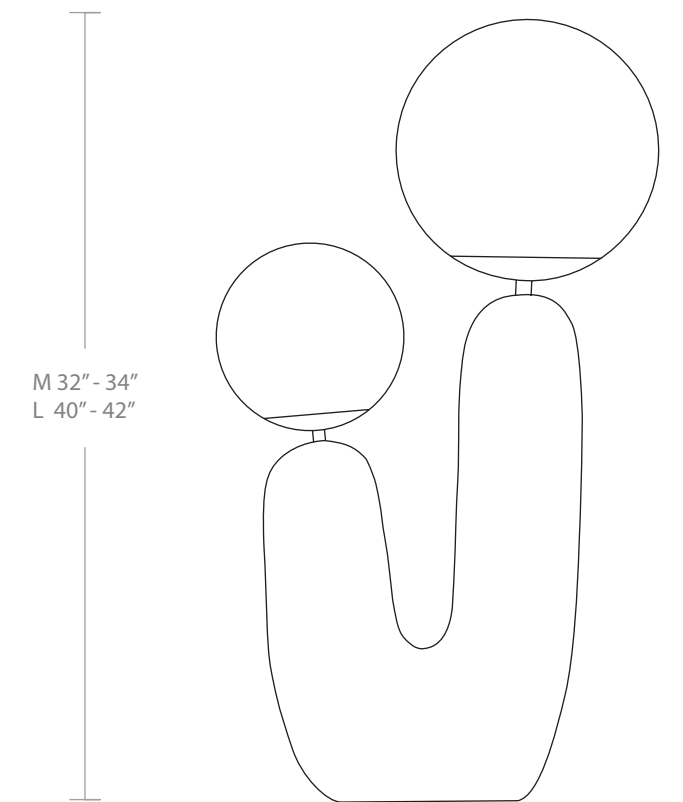
Medium \$5000  
Large \$6000

## METAL FINISH OPTIONS

- brushed copper
- brushed brass

## CLAY BODY OPTIONS

-  white sand
-  skin #1
-  terra cotta
-  brown clay



## MATERIALS

- ceramic base (unglazed)
- brushed metal parts
- satin glass shades

## CERTIFICATION



## VOLTAGE

120v - 277v

## BULB SPECS, COLOR TEMPERATURE

Soft White LED dimmable, 3000K

- 8'' Shade: 3w B10 (E12) 350 Lumens
- 10'' Shade: 3w B10 (E12) 350 Lumens
- 12'' Shade: 6w B10 (E12) 500 Lumens
- 14'' Shade: 6w B10 (E12) 500 Lumens



# Oo lamp

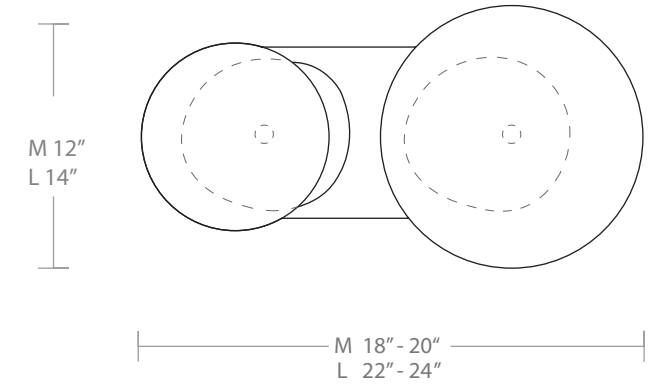
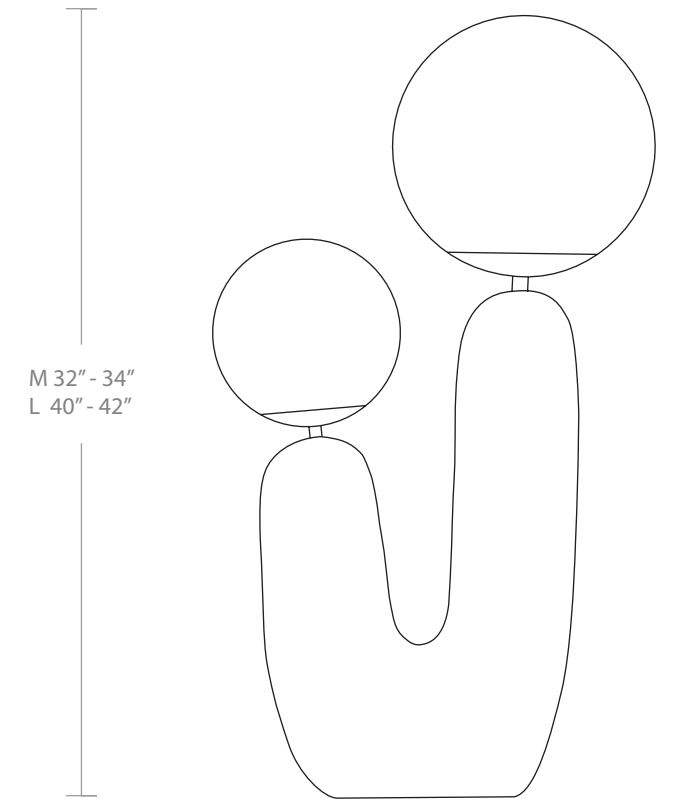
Medium \$5000  
Large \$6000

## METAL FINISH OPTIONS

- brushed copper
- brushed brass
- brushed steel

## CLAY BODY PAINT OPTIONS

We use a fine art french paint called Fleur, see custom colors at:  
[www.fleurpaint.com/en/chalky-look/](http://www.fleurpaint.com/en/chalky-look/)



## MATERIALS

- ceramic base (painted)
- brushed metal parts
- satin glass shades

## CERTIFICATION



## VOLTAGE

120v - 277v

## BULB SPECS, COLOR TEMPERATURE

Soft White LED dimmable, 3000K

- 8'' Shade: 3w B10 (E12) 350 Lumens
- 10'' Shade: 3w B10 (E12) 350 Lumens
- 12'' Shade: 6w B10 (E12) 500 Lumens
- 14'' Shade: 6w B10 (E12) 500 Lumens



# Oo floor lamp

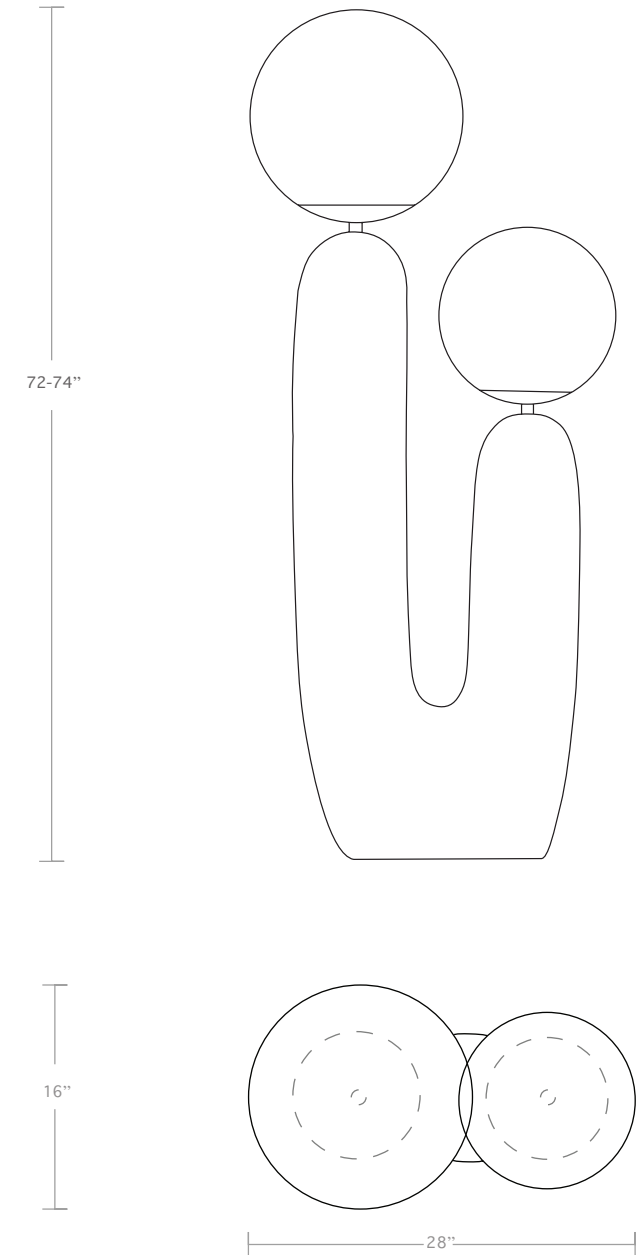
\$12,000

## METAL FINISH OPTIONS

- brushed copper
- brushed brass

## CLAY BODY PAINT OPTIONS

We use a fine art french paint called Fleur, see custom colors at:  
[www.fleurpaint.com/en/chalky-look/](http://www.fleurpaint.com/en/chalky-look/)



## MATERIALS

- ceramic base (painted)
- brushed metal parts
- satin OR gloss glass shades

## CERTIFICATION

 LISTED +\$750.00

## VOLTAGE

120v - 277v

## BULB SPECS, COLOR TEMPERATURE

Soft White LED dimmable, 3000K

14" Shade: 6w B10 (E12) 500 Lumens

16" Shade: 8w B10 (E12) 500 Lumens



# Camel table lamp

Small \$4000  
Large \$5500

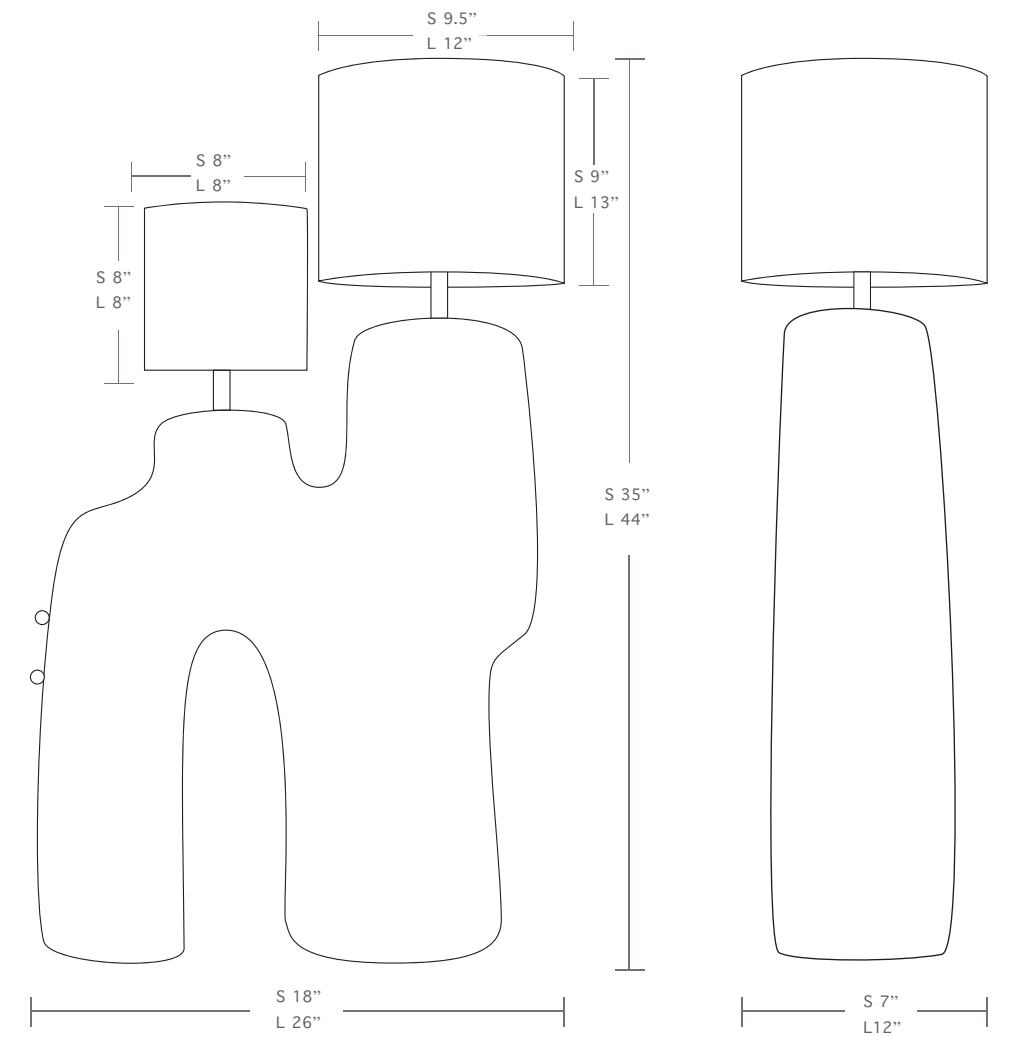
## METAL FINISH OPTIONS

- brushed copper
- brushed brass

## GLAZE OPTIONS

Please refer to the S&C PDF for glaze color options.

\*note that glazing is an imperfect process and color, coverage, and saturation will vary.



## MATERIALS

- ceramic base (glazed)
- brushed metal parts
- linen fabric shades

## CERTIFICATION



## VOLTAGE

120v - 277v

## BULB SPECS, COLOR TEMPERATURE

Soft White LED dimmable, E12



# Blob sconce

Medium \$1500  
Large \$2400

### METAL FINISH OPTIONS

- copper
- brass

### CLAY BODY OPTIONS

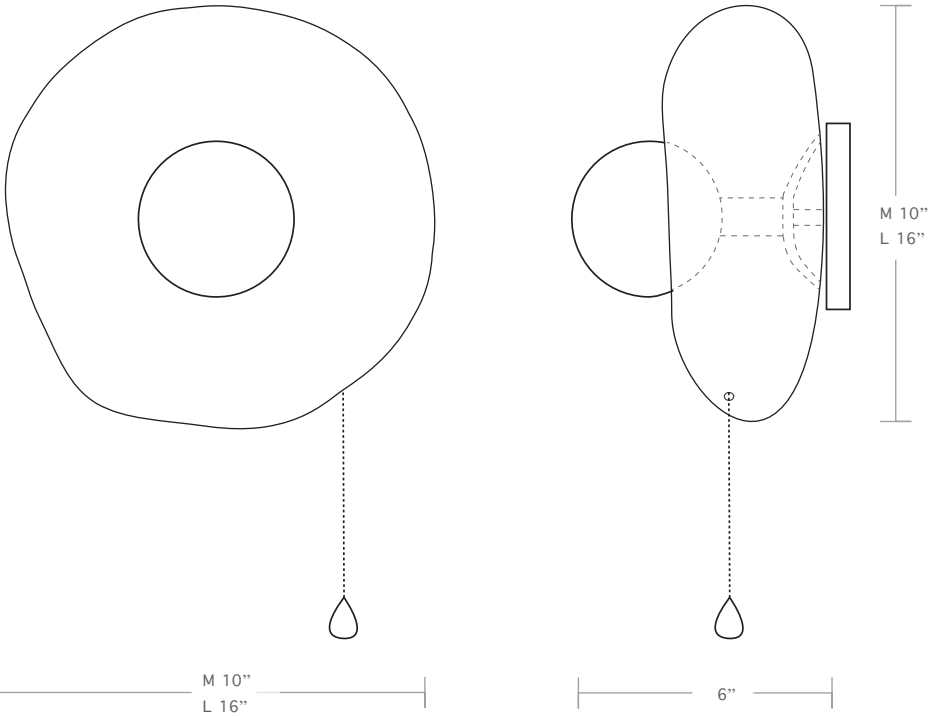
-  white sand
-  skin #1
-  terra cotta
-  brown clay

### CLAY BODY PAINT OPTIONS

We use a fine art french paint called Fleur, see custom colors at:  
[www.fleurpaint.com/en/chalky-look/](http://www.fleurpaint.com/en/chalky-look/)

### GLAZE OPTIONS +\$150

Please refer to the S&C PDF for glaze color options



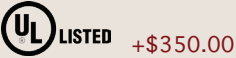
### MATERIALS

- ceramic
- metal parts

### OTHER INFO

standard blackpate for sconces  
(unless specified otherwise, fee applies)

### CERTIFICATION



### VOLTAGE

120v - 277v

### BULB SPECS, COLOR TEMPERATURE

Soft White LED, CRI 95  
6w G25 Medium (E27) 250 Lumens

\*Porcelain Bulbs to be included upon request

### PULL SWITCH

choices of ceramic beads available  
no pull switch also available



# Daisy sconce

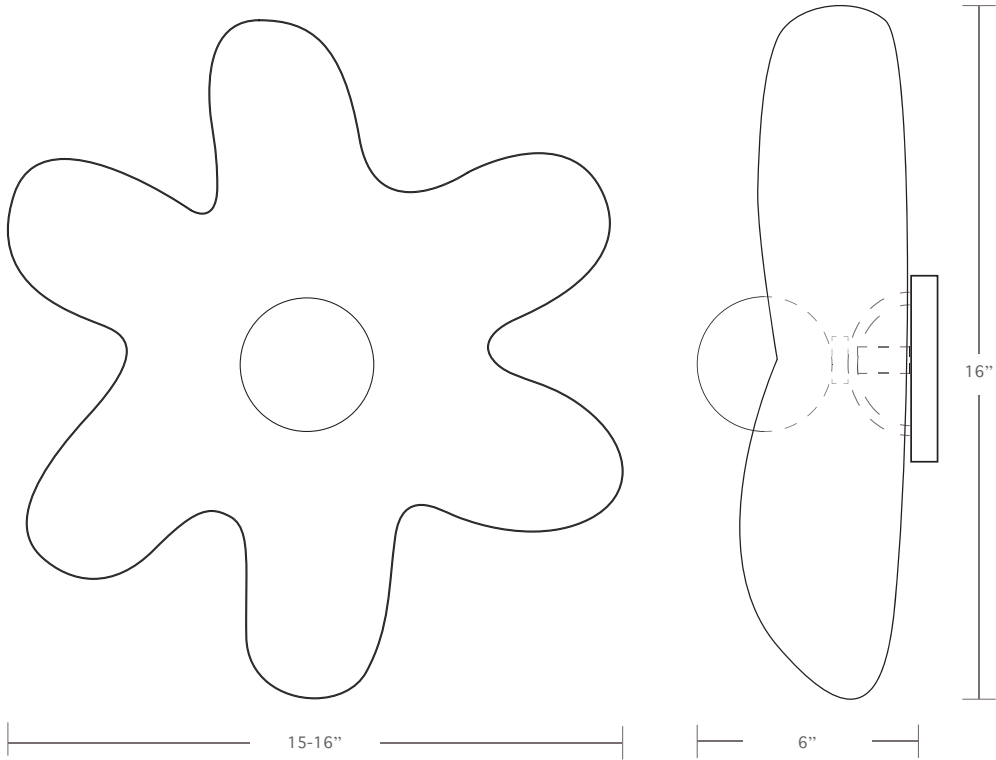
\$1800

**METAL FINISH OPTIONS**

- copper
- brass

**CLAY BODY OPTIONS**

-  white sand
-  skin #1 white sand
-  terra cotta skin #1
-  brown clay terra cotta



**CLAY BODY PAINT OPTIONS**

We use a fine art french paint called Fleur, see custom colors at: [www.fleurpaint.com/en/chalky-look/](http://www.fleurpaint.com/en/chalky-look/)

**GLAZE OPTIONS +\$150**

Please refer to the S&C PDF for glaze color options



**MATERIALS**

- ceramic
- metal parts

**CERTIFICATION**



**BULB SPECS, COLOR TEMPERATURE**

Soft White LED, CRI 95  
6w G25 Medium (E27) 250 Lumens

\*Porcelain Bulbs to be included upon request

**OTHER INFO**

standard blackpate for sconces  
(unless specified otherwise, fee applies)

**VOLTAGE**

120v - 277v

**PULL SWITCH**

choices of ceramic beads available  
no pull switch also available



# Puffy Daisy sconce

\$1800

## METAL FINISH OPTIONS

- copper
- brass

## CLAY BODY OPTIONS

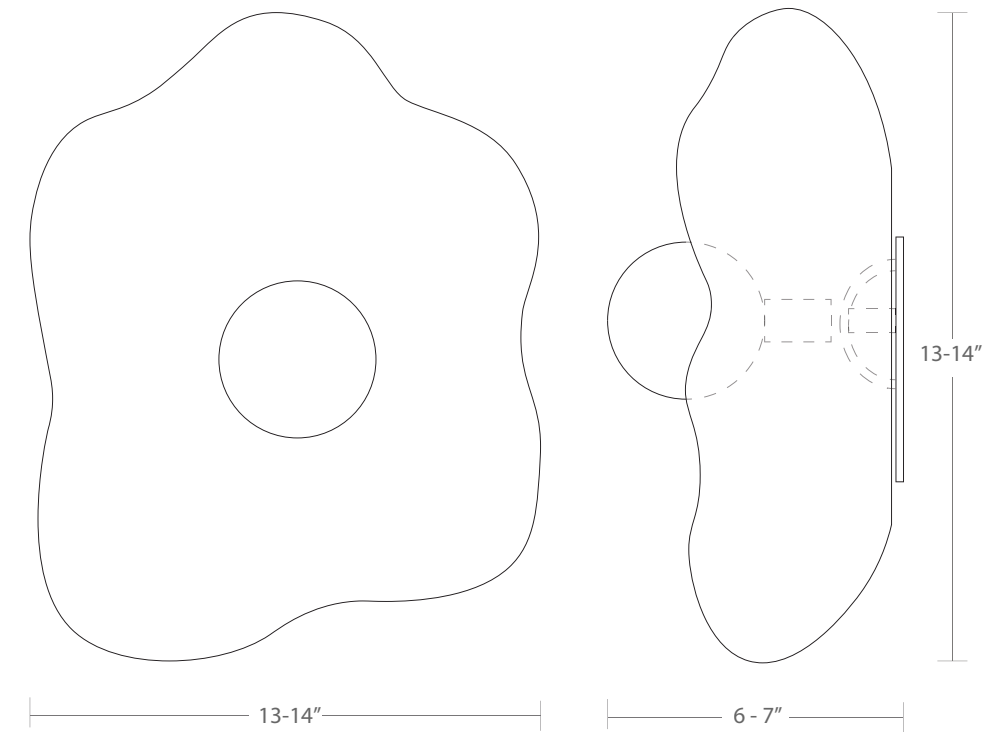
-  white sand
-  skin #1
-  terra cotta
-  brown clay

## CLAY BODY PAINT OPTIONS

We use a fine art french paint called Fleur, see custom colors at:  
[www.fleurpaint.com/en/chalky-look/](http://www.fleurpaint.com/en/chalky-look/)

## GLAZE OPTIONS +\$150

Please refer to the S&C PDF for glaze color options



## MATERIALS

- ceramic
- metal parts

## OTHER INFO

standard blackpate for sconces  
(unless specified otherwise, fee applies)

## CERTIFICATION



## VOLTAGE

120v - 277v

## BULB SPECS, COLOR TEMPERATURE

Soft White LED, CRI 95  
6w G25 Medium (E27) 250 Lumens

\*Porcelain Bulbs to be included upon request

## PULL SWITCH

choices of ceramic beads available  
no pull switch also available





# Stitch table

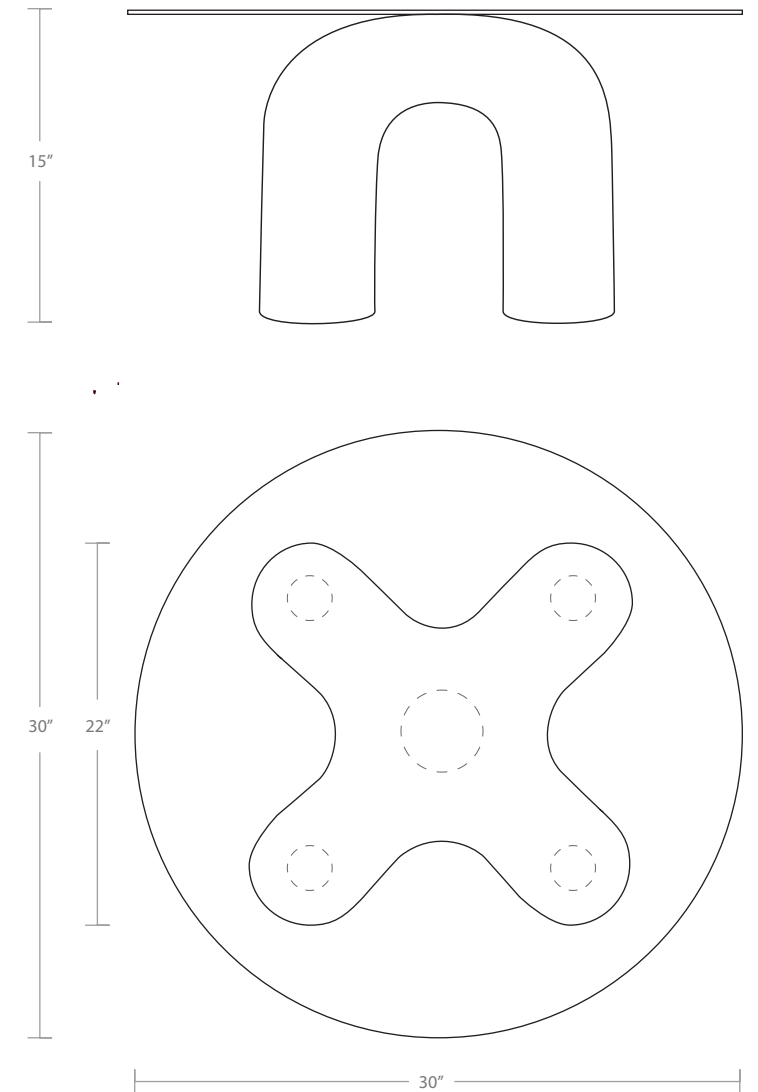
Ceramic Unglazed \$5000  
Custom Painted \$4600

## CLAY BODY OPTIONS



## CLAY BODY PAINT OPTIONS

We use a fine art french paint called Fleur, see custom colors at:  
[www.fleurpaint.com/en/chalky-look/](http://www.fleurpaint.com/en/chalky-look/)



## MATERIALS

- handbuilt ceramic base
- glass top, tempered, pencil finish  
1/2" thick

## OTHER INFO

- table top sits on silicone pads that are attached to ceramic base
- although glazed options can be safe outdoors (water-proof)  
we don't recommend them to stay outside during winter in regions  
where temperature can drop to freezing point
- maintenance: use magic eraser for any dirt scratches



# Stitch stool ceramic

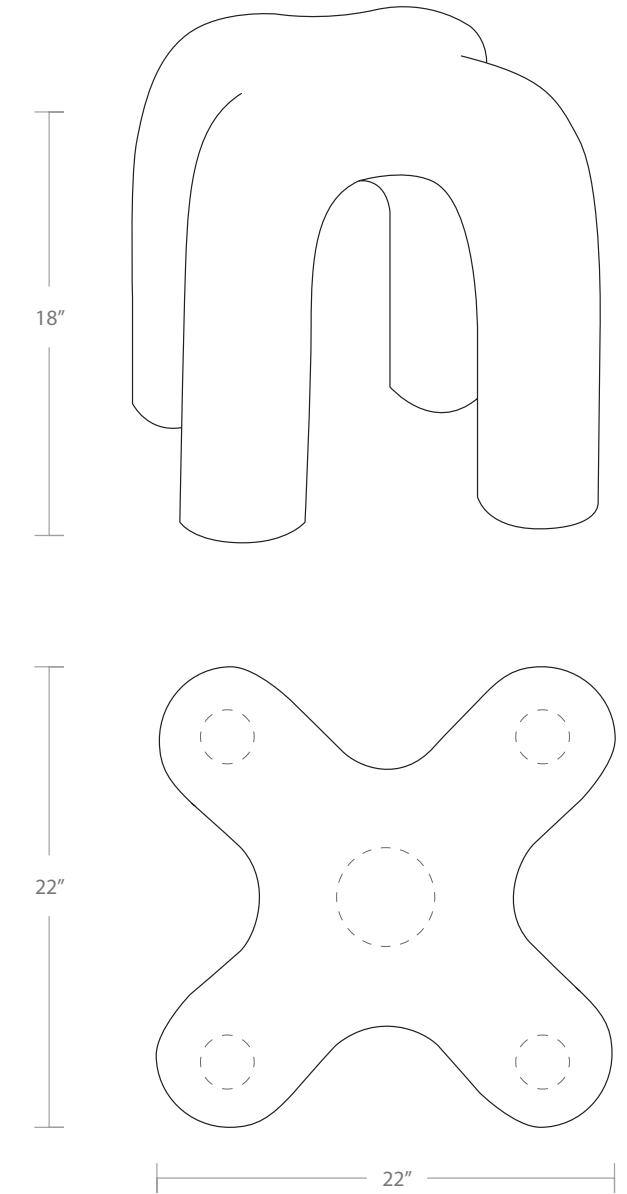
Ceramic Glazed \$4800  
Ceramic Unglazed \$4400

## CLAY BODY OPTIONS

-  white sand
-  skin #1
-  terra cotta
-  brown clay

## GLAZE OPTIONS +\$150

Please refer to the S&C PDF for glaze color options



## MATERIALS

- ceramic base
- felt pads under feet

## OTHER INFO

- although glazed options can be safe outdoors (water-proof) we don't recommend them to stay outside during winter in regions where temperature can drop to freezing point
- maintenance: use magic eraser for any dirt scratches



# Stitch stool boucle

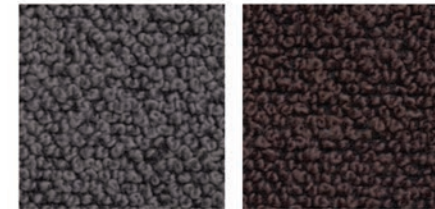
Upholstered \$2800  
COM order \$2200

## FABRIC OPTIONS



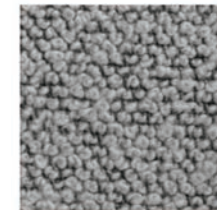
COZY  
LAMB

COZY  
FLOCK

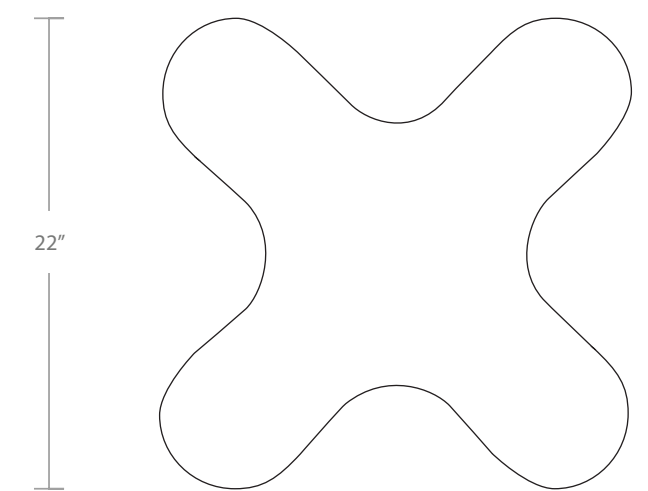
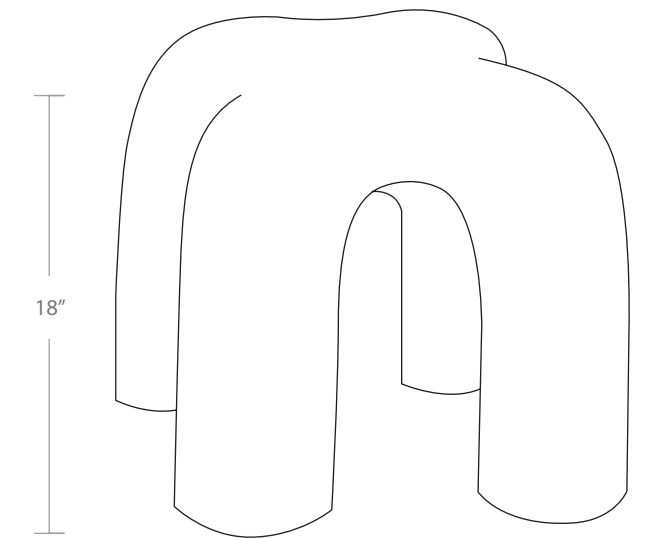


COZY  
STOLE

COZY  
NEST



COZY  
DOWNY



## MATERIALS

- wooden structure
- 97% wool, 3% nylon

## COM ORDERS REQUIREMENTS

- no repeat pattern
- must be a textural fabric as hand-stitching is involved
- sample submit prior to order

## OTHER FABRIC INFO

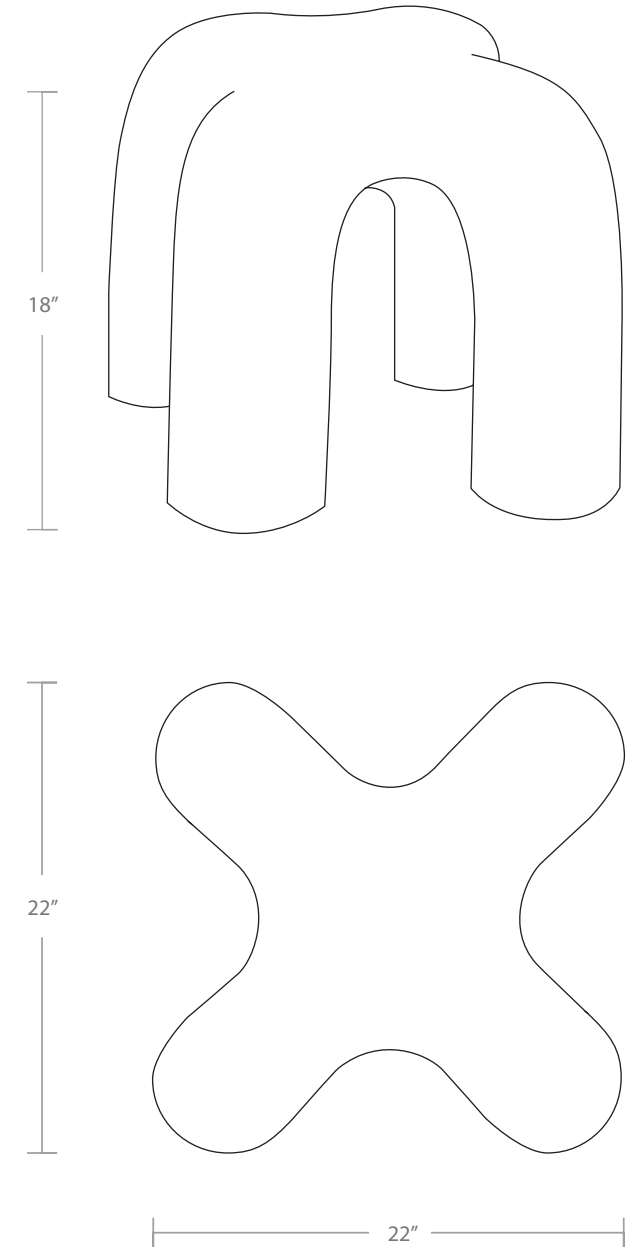
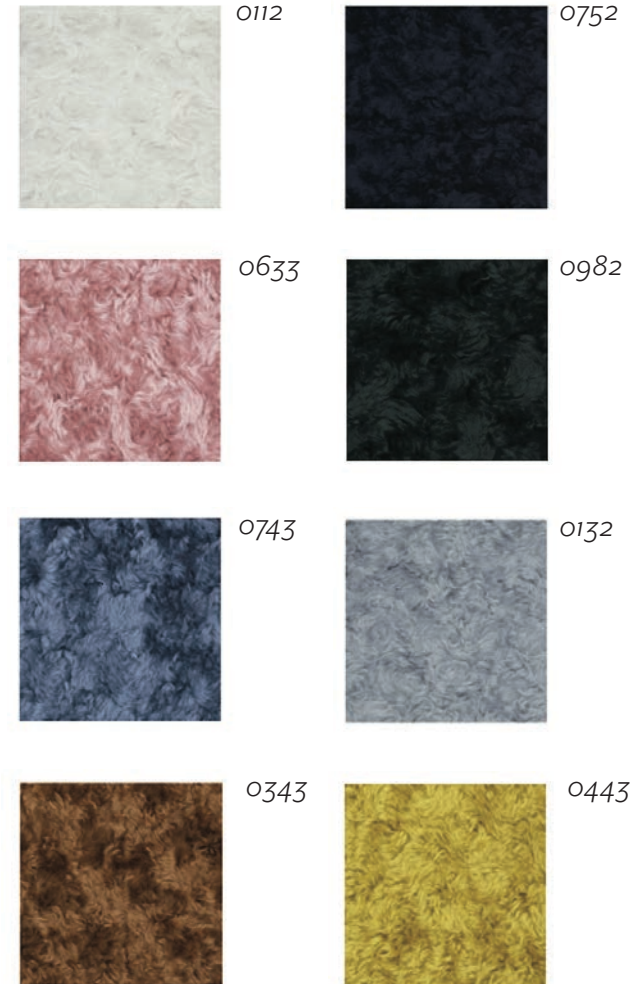
- ABRASION: 20,000 cycles Martindale
- FLAMMABILITY: California Technical Bulletin 117-2013
- MAINTENANCE: Clean with mild, water-free dry cleaning solvent
- ENVIRONMENTAL: Healthier Hospitals Compliant, Contains Bio-Based Materials, Contains Rapidly Renewable Materials, FR Free, Greenguard and Greenguard Gold Certified
- LEED: Contributes to LEED IEQ Credit 4.5 - low emitting materials, systems furniture & seating; contributes to LEED MR Credit 6 - rapidly renewable materials
- COUNTRY OF ORIGIN: United Kingdom



# Stitch stool mohair

Upholstered **\$2800**  
COM order **\$2200**

## FABRIC OPTIONS



## MATERIALS

-100% mohair (pile)

## COM ORDERS REQUIREMENTS

-no repeat pattern  
-must be a textural fabric  
as hand-stitching is involved  
-sample submit prior to order

## OTHER FABRIC INFO

-ABRASION: 25,000 cycles Martindale  
-FLAMMABILITY: EN 1021-1/2, US Cal. Tech. Bull. 117, Sec. E  
-MAINTENANCE: Vacuuming and dry cleaning  
-ENVIRONMENTAL: No use of AZO dyes, which may split off carcinogenic acrylamines, no dyes containing heavy metals/complies with ETAD norm  
Complies with REACH regulation  
-COUNTRY OF ORIGIN: Germany



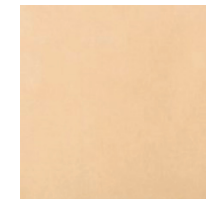
# BB stool cotton velvet

Single \$1600

## FABRIC OPTIONS



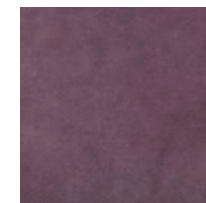
111



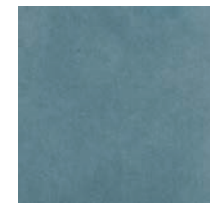
116



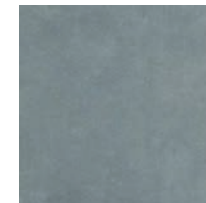
014



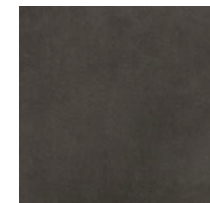
110



115



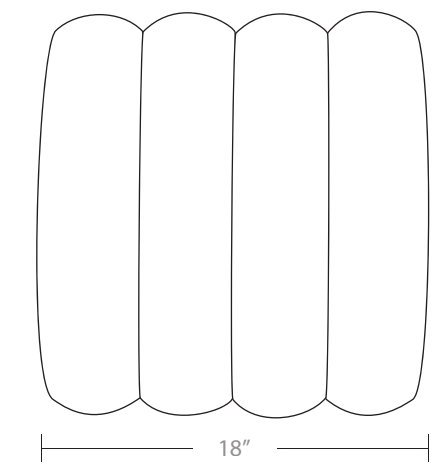
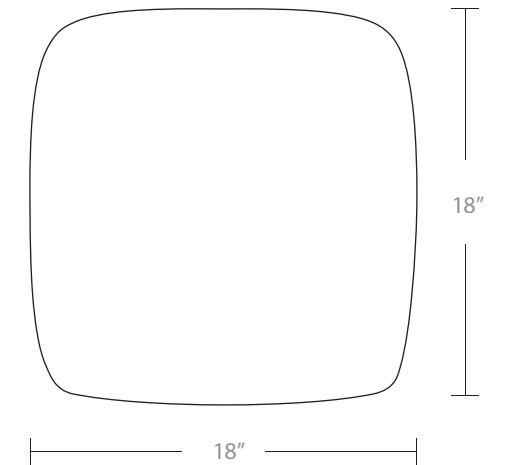
515



2100



013



## MATERIALS

- Kravet 100% Cotton Velvet

## OTHER INFO.

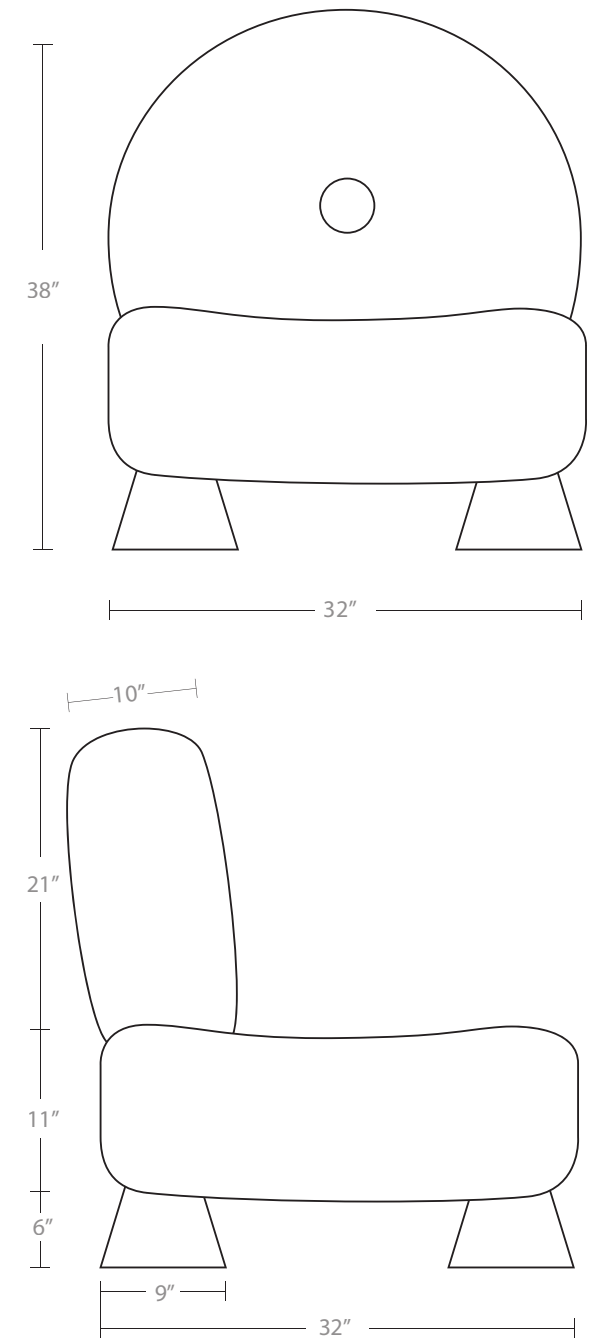
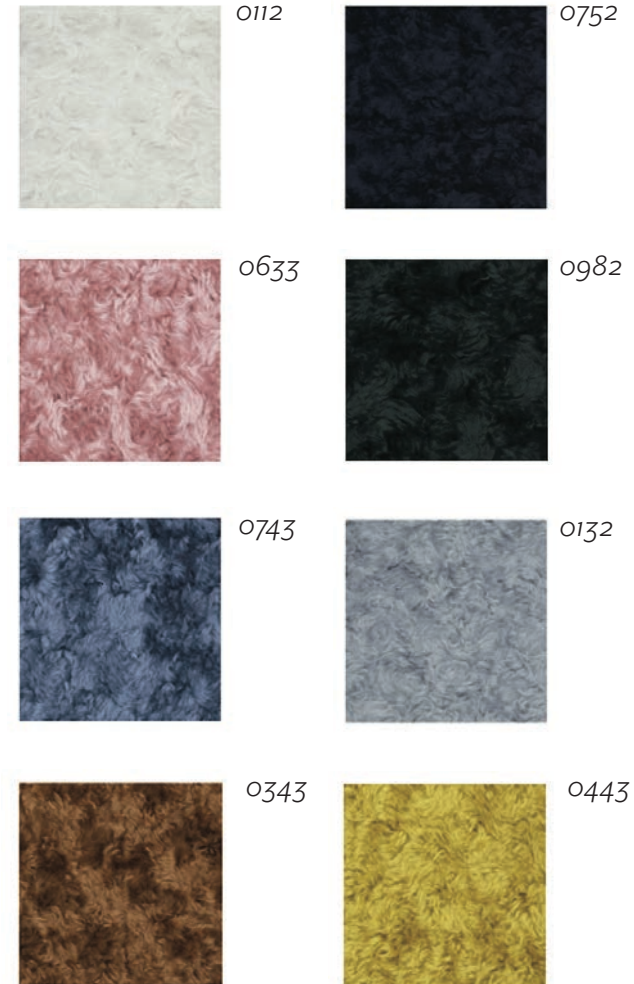
- wooden structure
- COM orders available (+\$1200)
- rushed orders with small fee available



# Asterisk chair mohair

Upholstered \$5200

## FABRIC OPTIONS



## MATERIALS

-100% mohair (pile)

## COM ORDERS REQUIREMENTS

- no repeat pattern
- must be a textural fabric as hand-stitching is involved
- sample submit prior to order

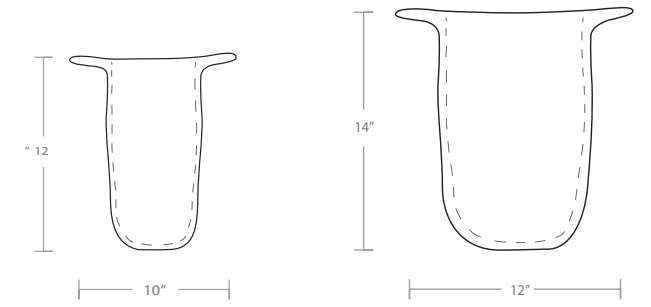
## OTHER FABRIC INFO

- ABRASION: 25,000 cycles Martindale
- FLAMMABILITY: EN 1021-1/2, US Cal. Tech. Bull. 117, Sec. E
- MAINTENANCE: Vacuuming and dry cleaning
- ENVIRONMENTAL: No use of AZO dyes, which may split off carcinogenic acrylamines, no dyes containing heavy metals/complies with ETAD norm Complies with REACH regulation
- COUNTRY OF ORIGIN: Germany



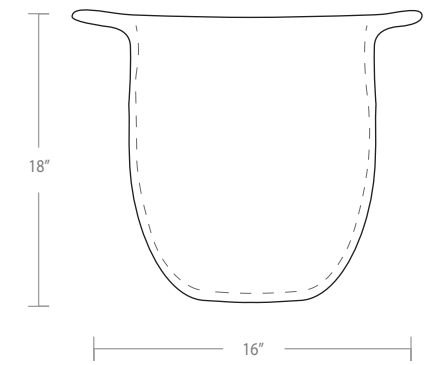
# Tulip planter

- Small \$600
- Medium \$1000
- Large \$2000
- X Large \$2600



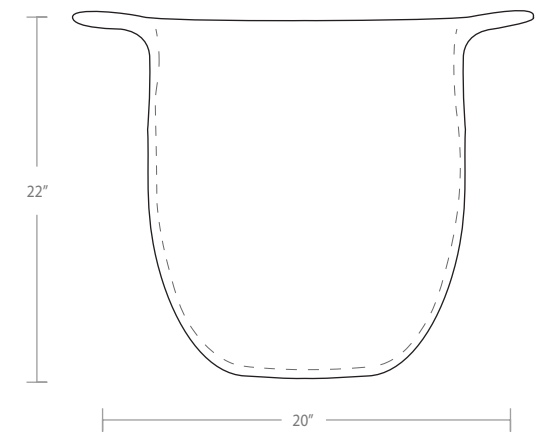
## CLAY BODY OPTIONS

-  white sand
-  skin #1
-  terra cotta
-  brown clay



## GLAZE OPTIONS +\$150

Please refer to the S&C PDF for glaze color options



## MATERIALS

-ceramic base

## OTHER INFO

-the Tulip Planters do not come with a plate or hole on the bottom. We recommend a layer of rocks beneath the soil to protect the roots.

-plate and hole can be added for an additional fee.



# Lumpy vase

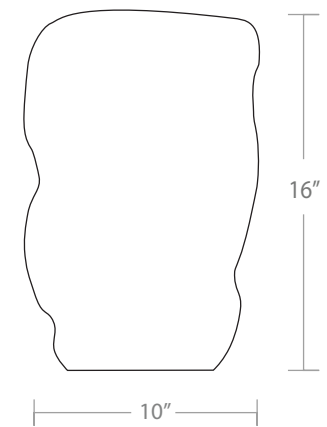
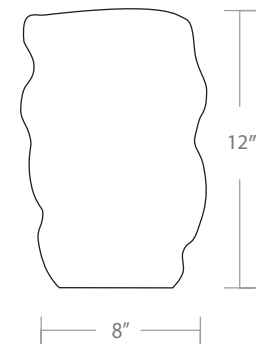
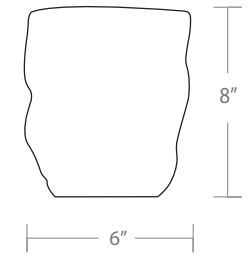
- Small \$320
- Medium \$460
- Large \$620

## CLAY BODY OPTIONS

-  white sand
-  skin #1
-  terra cotta
-  brown clay

## GLAZE OPTIONS +\$150

Please refer to the S&C PDF for glaze color options



## MATERIALS

-ceramic base

## OTHER INFO

-clay body options are clear glazed on the inside



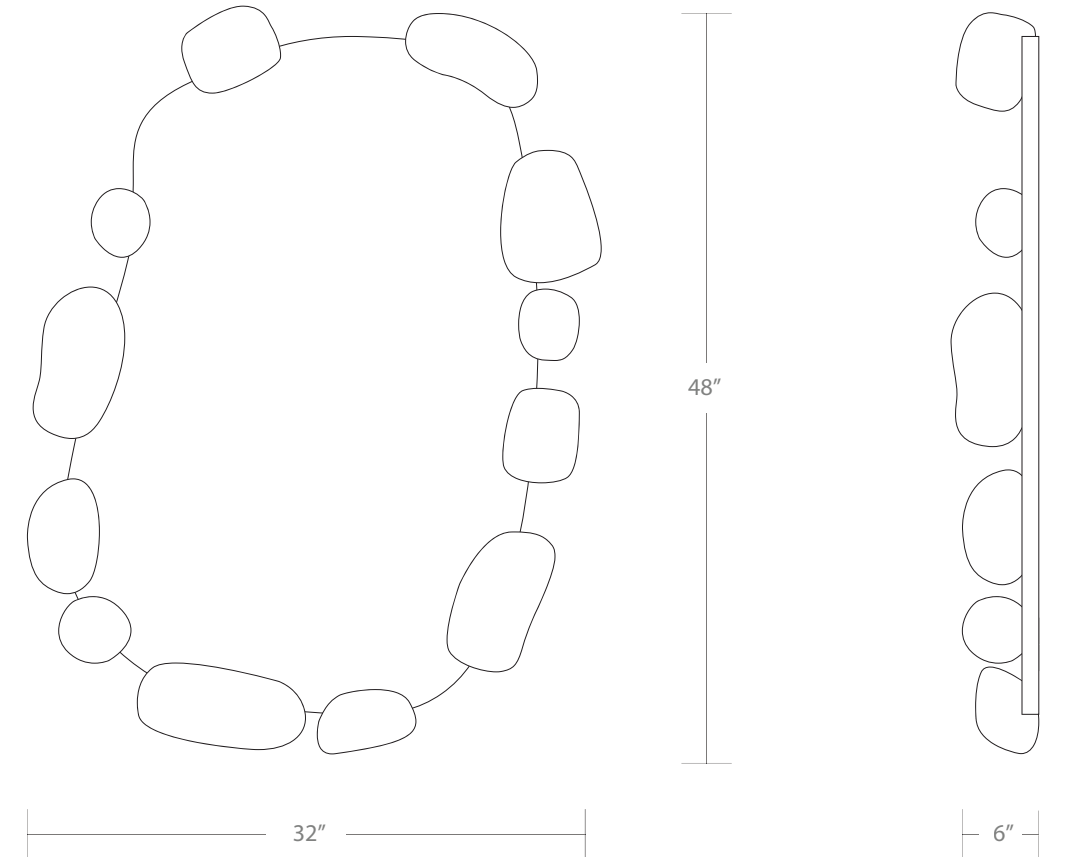


# Colar mirror

Starting at \$5200

## "PEBBLE" OPTIONS

- molded leather
- ceramic



## MATERIALS

- plywood backing
- leather or ceramic pebbles

## OTHER INFO

- size of mirror and pebble amount / color can be customized
- french cleats for install



# Domino rug

- 5' x 8' \$1300
- 6' x 9' \$1850
- 8' x 10' \$2200
- 9' x 12' \$2800

## COLOR OPTIONS



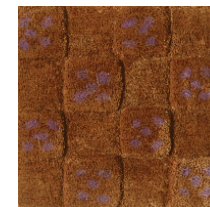
grass



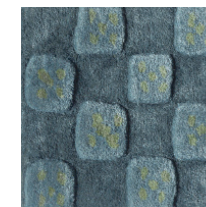
plum



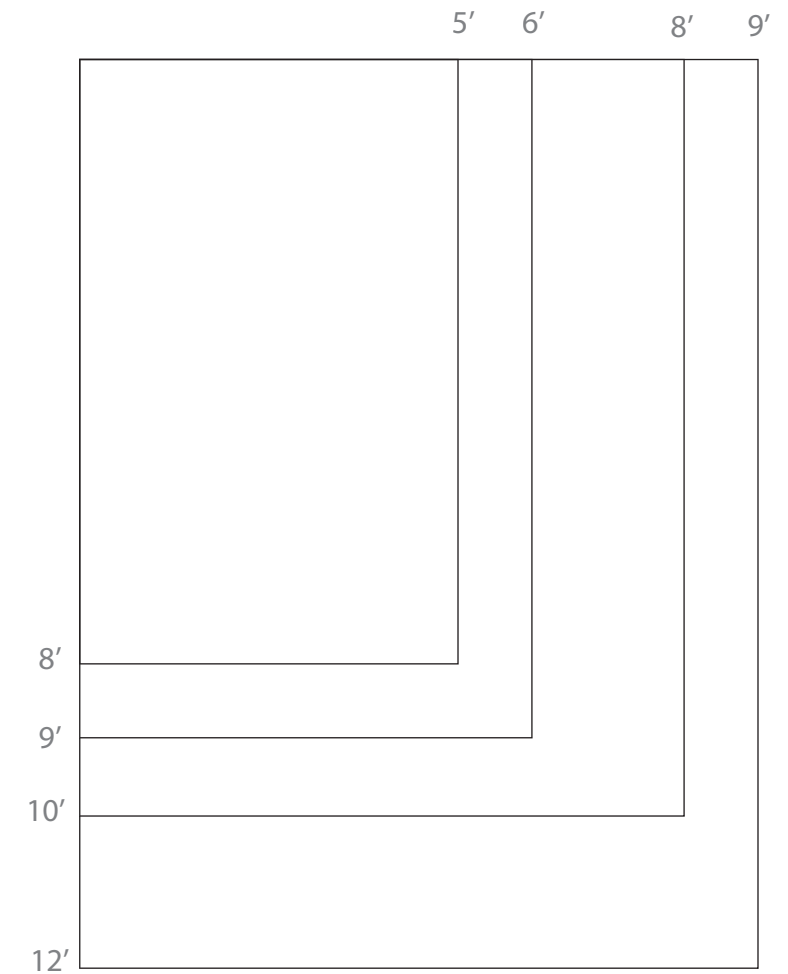
pear



chocolate



trout



## MATERIALS

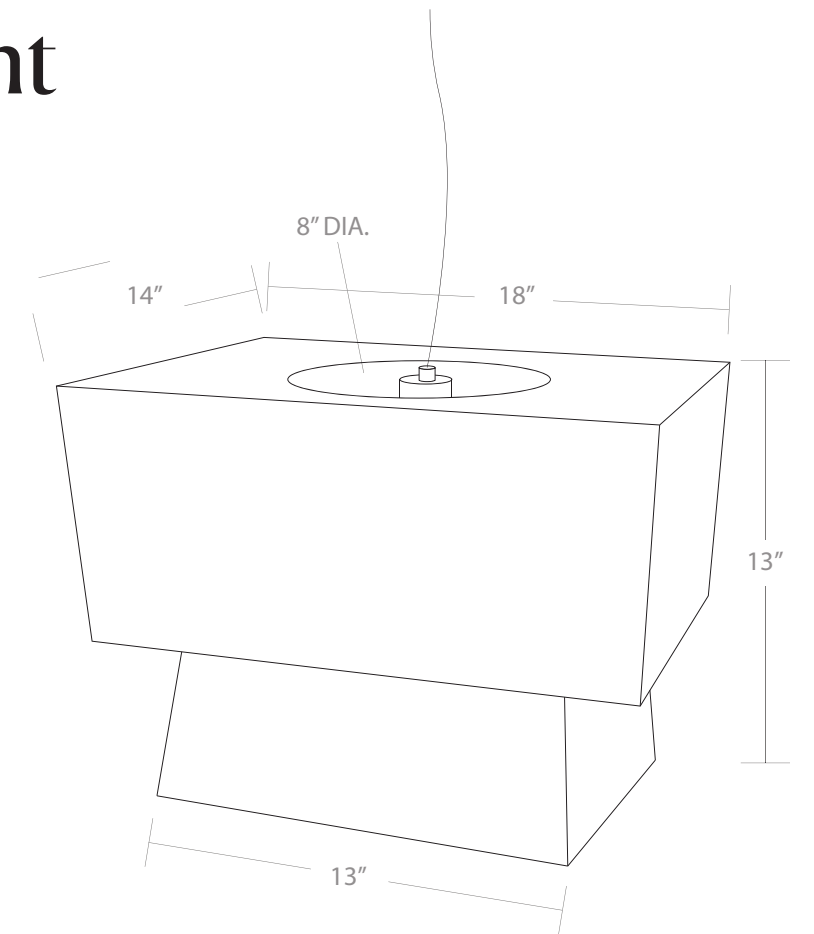
- wool & bamboo silk fibers

## OTHER INFO

- in collaboration with print designer Spencer Malinski
- custom sizing available upon request
- made in India
- lead time of 6-8 weeks

# At Home pendant

With (2) Bows \$1720  
No Bows \$1620



## METAL FINISH OPTIONS

- copper-plated
- polished brass
- polished nickel

## FABRIC WRAPPING OPTIONS



## MATERIALS

- linen shades
- welded steel structure

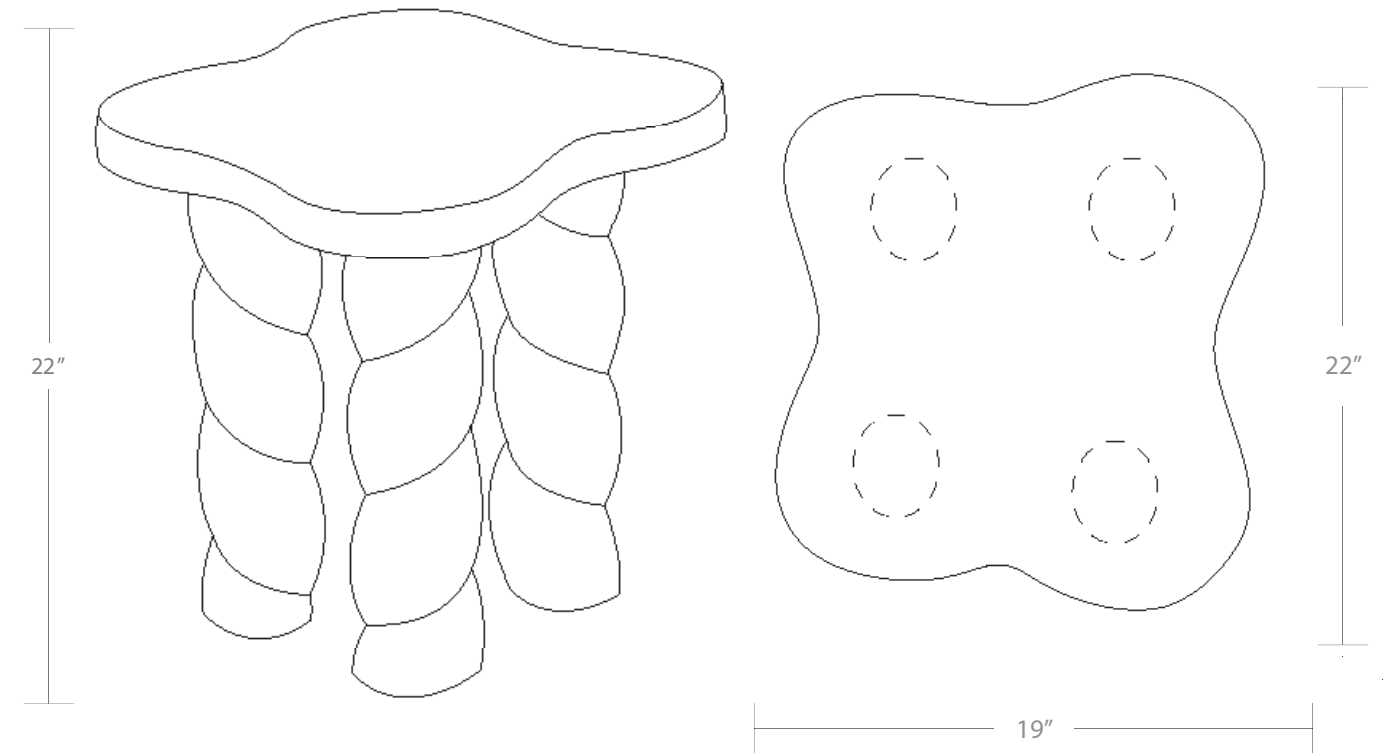
## OTHER INFO

- lead time of 6-8 weeks
- E26 base
- includes 6' nylon-wrapped cord



# Rope stool

\$4800



## MATERIALS

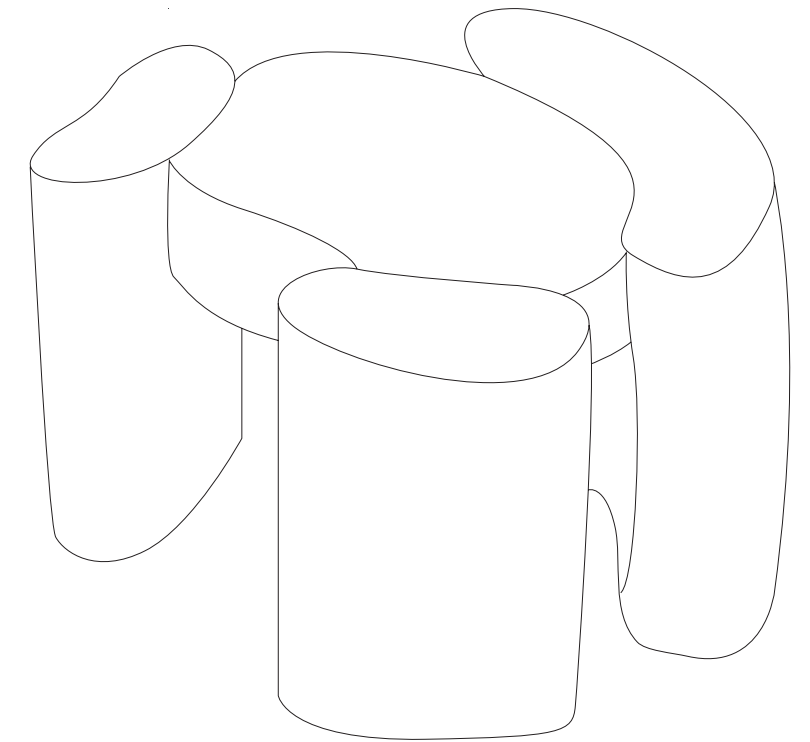
- solid white oak
- satin osmo finish

## OTHER INFO

- hand sculpted

# Cell Table

Custom only \$5000



## MATERIALS

- ceramic base
- glazed table top finish

## Size

- max height: 22"
- max diameter: 24"

## OTHER INFO

- hand sculpted



# eny

please see our Terms & Conditions at  
[www.enyleeparker.com/terms-and-conditions](http://www.enyleeparker.com/terms-and-conditions)