

eny

Eny Lee Parker studio is located in Maspeth, Queens.
all ceramic pieces are handmade in the studio
wiring for lighting and upholstery are also done locally.
pieces can be customizable upon request for an additional fee.

leadtimes are 10-14 weeks *

studio hours | Monday - Friday, 11AM-6PM

studio visits available by appointment

commission inquiries email to eny@enyleeparker.com

all general inquiries to info@enyleeparker.com

please see our Terms & Conditions at
www.enyleeparker.com/terms-and-conditions



Oo lamp

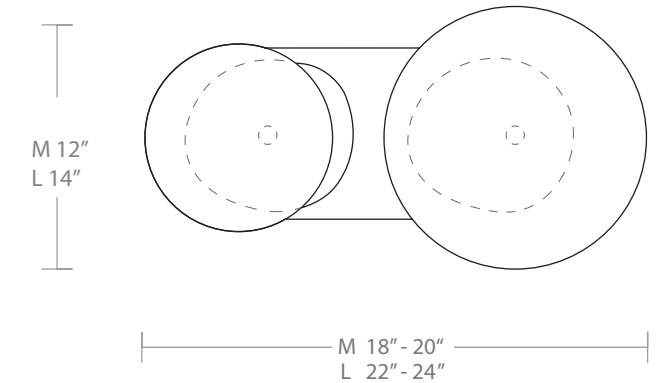
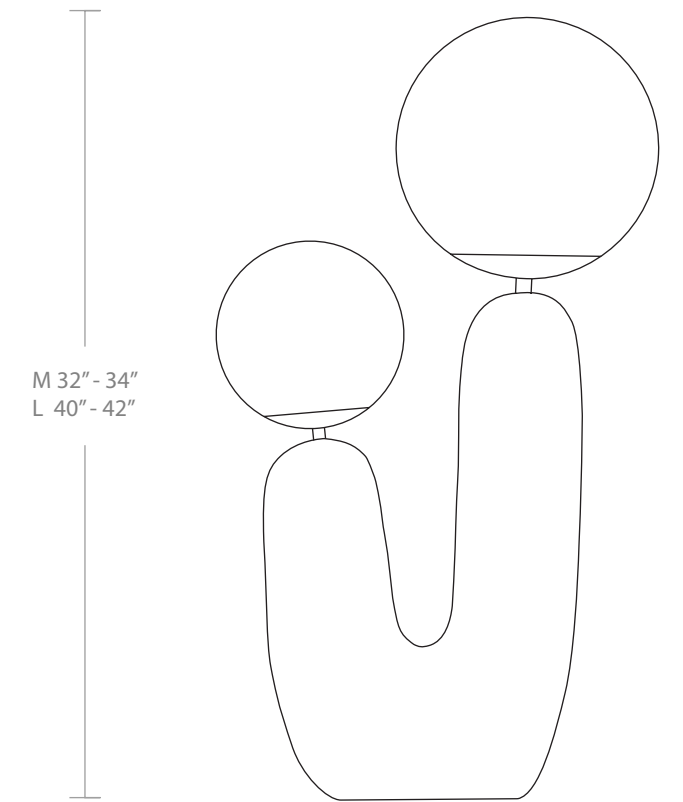
Medium \$5000
Large \$6000

METAL FINISH OPTIONS

- brushed copper
- brushed brass

CLAY BODY OPTIONS

-  white sand
-  skin #1
-  terra cotta
-  brown clay



MATERIALS

- ceramic base (unglazed)
- brushed metal parts
- satin glass shades

CERTIFICATION



VOLTAGE

120v - 277v

BULB SPECS, COLOR TEMPERATURE

Soft White LED dimmable, 3000K

- 8'' Shade: 3w B10 (E12) 350 Lumens
- 10'' Shade: 3w B10 (E12) 350 Lumens
- 12'' Shade: 6w B10 (E12) 500 Lumens
- 14'' Shade: 6w B10 (E12) 500 Lumens



Oo lamp

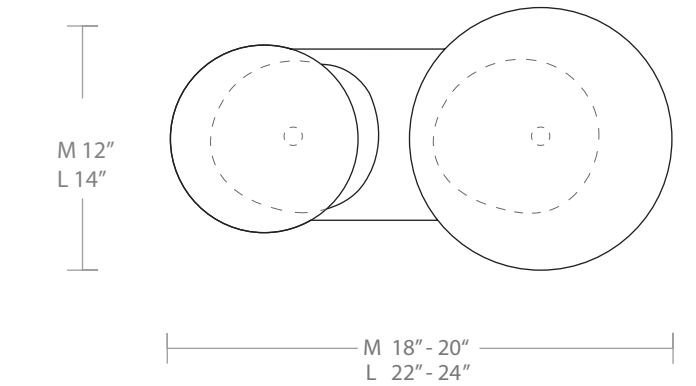
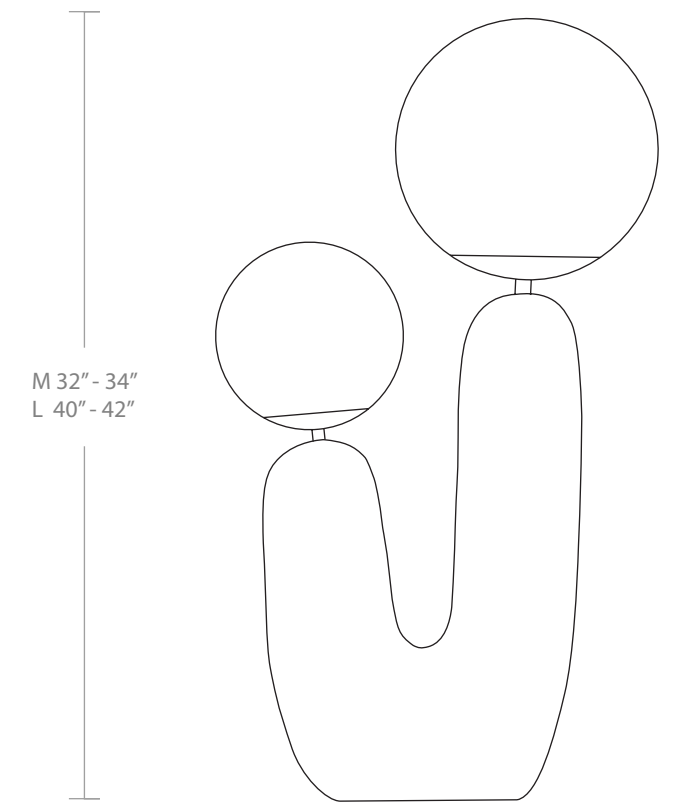
Medium \$5000
Large \$6000

METAL FINISH OPTIONS

- brushed copper
- brushed brass
- brushed steel

CLAY BODY PAINT OPTIONS

We use a fine art french paint called Fleur, see custom colors at:
www.fleurpaint.com/en/chalky-look/



MATERIALS

- ceramic base (painted)
- brushed metal parts
- satin glass shades

CERTIFICATION



VOLTAGE

120v - 277v

BULB SPECS, COLOR TEMPERATURE

Soft White LED dimmable, 3000K

- 8'' Shade: 3w B10 (E12) 350 Lumens
- 10'' Shade: 3w B10 (E12) 350 Lumens
- 12'' Shade: 6w B10 (E12) 500 Lumens
- 14'' Shade: 6w B10 (E12) 500 Lumens



Oo floor lamp

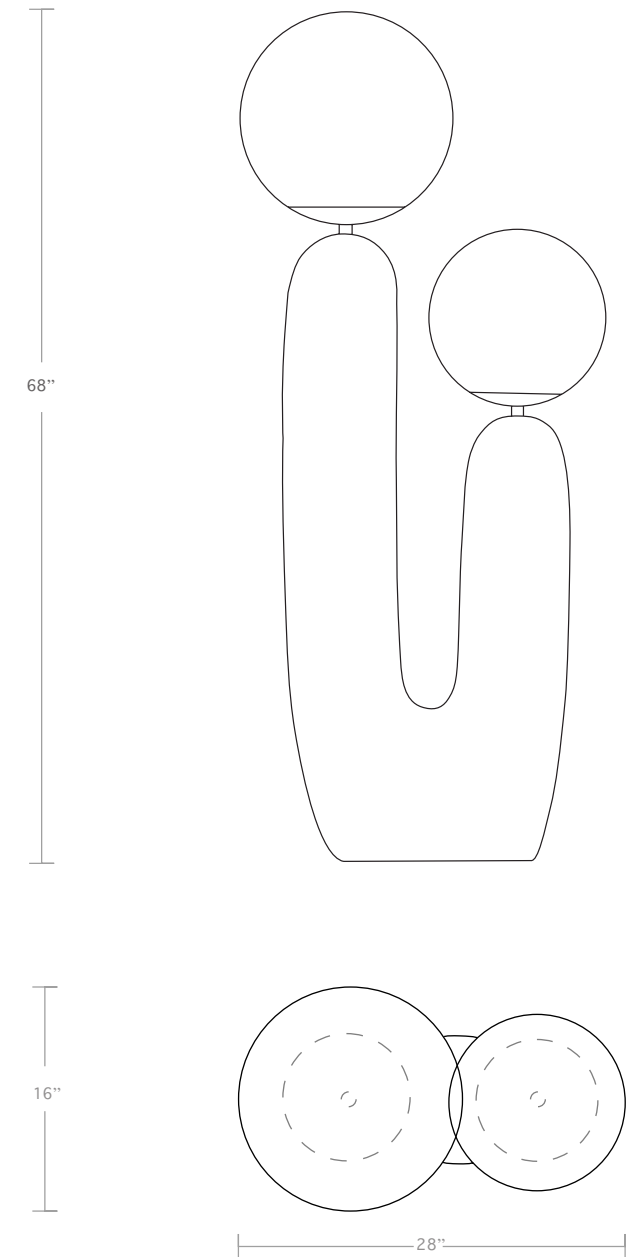
\$12,000

METAL FINISH OPTIONS

- brushed copper
- brushed brass

CLAY BODY PAINT OPTIONS

We use a fine art french paint called Fleur, see custom colors at:
www.fleurpaint.com/en/chalky-look/



MATERIALS

- ceramic base (painted)
- brushed metal parts
- satin OR gloss glass shades

CERTIFICATION



VOLTAGE

120v - 277v

BULB SPECS, COLOR TEMPERATURE

Soft White LED dimmable, 3000K

14" Shade: 6w B10 (E12) 500 Lumens

16" Shade: 8w B10 (E12) 500 Lumens



Camel table lamp

\$6500

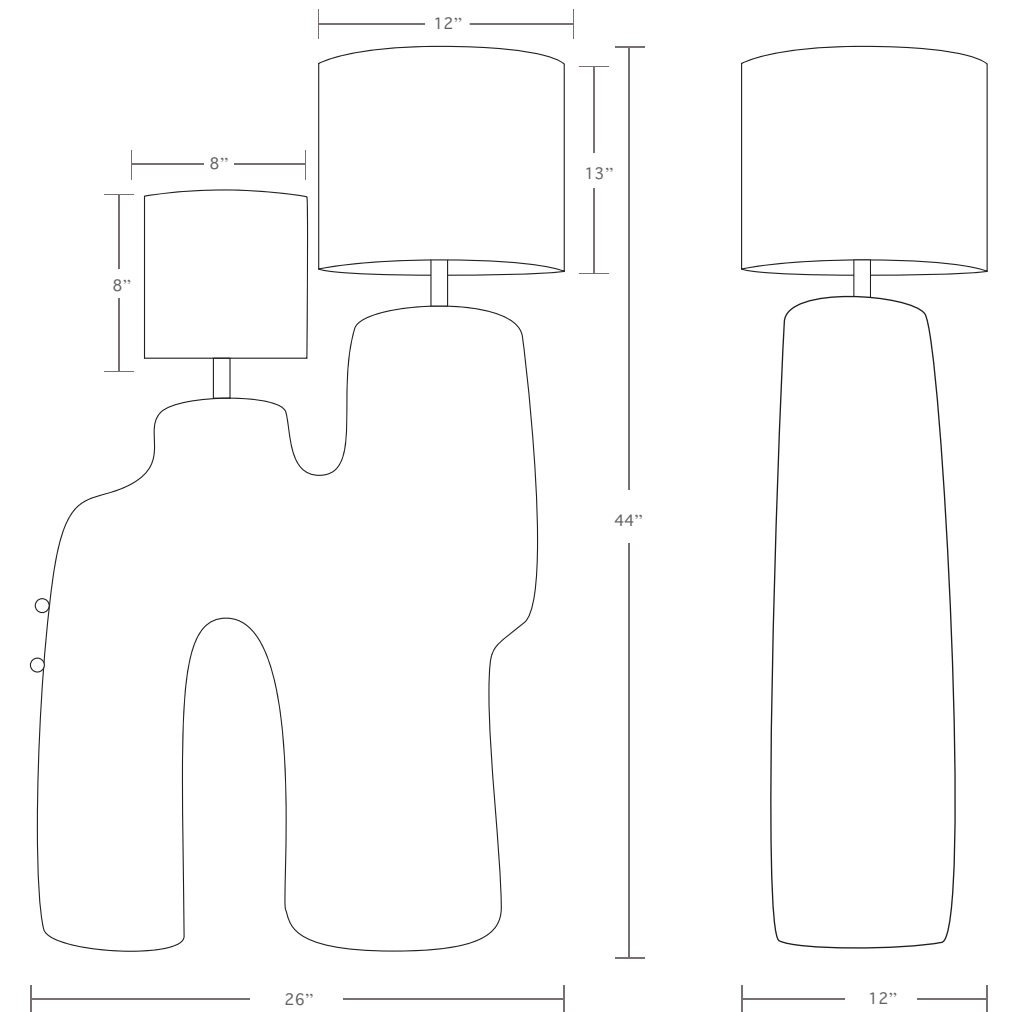
METAL FINISH OPTIONS

- brushed copper
- brushed brass

GLAZE OPTIONS

Please refer to the S&C PDF for glaze color options.

*note that glazing is an imperfect process and color, coverage, and saturation will vary.



MATERIALS

- ceramic base (glazed)
- brushed metal parts
- linen fabric shades

CERTIFICATION



VOLTAGE

120v - 277v

BULB SPECS, COLOR TEMPERATURE

Soft White LED dimmable, E12



Blob sconce

Medium \$1500
Large \$2000

METAL FINISH OPTIONS

- copper
- brass

CLAY BODY OPTIONS

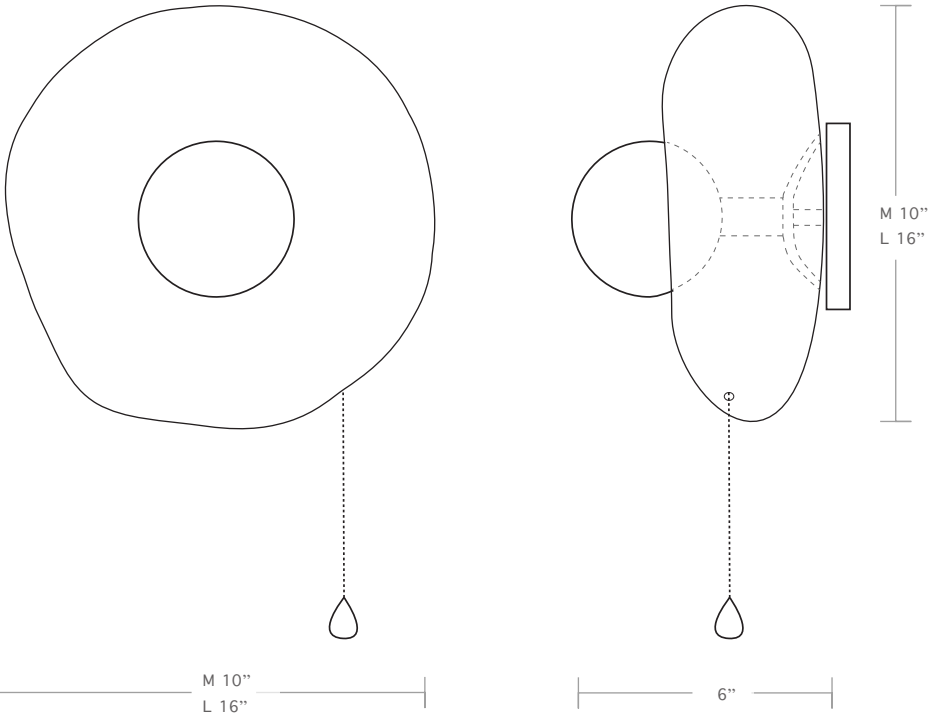
-  white sand
-  skin #1
-  terra cotta
-  brown clay

CLAY BODY PAINT OPTIONS

We use a fine art french paint called Fleur, see custom colors at:
www.fleurpaint.com/en/chalky-look/

GLAZE OPTIONS +\$150

Please refer to the S&C PDF for glaze color options



MATERIALS

- ceramic
- metal parts

CERTIFICATION



BULB SPECS, COLOR TEMPERATURE

Soft White LED, CRI 95
6w G25 Medium (E26) 250 Lumens

*Porcelain Bulbs to be included upon request

OTHER INFO

standard blackpate for sconces
(unless specified otherwise, fee applies)

VOLTAGE

120v - 277v

PULL SWITCH

choices of ceramic beads available
no pull switch also available



Daisy sconce

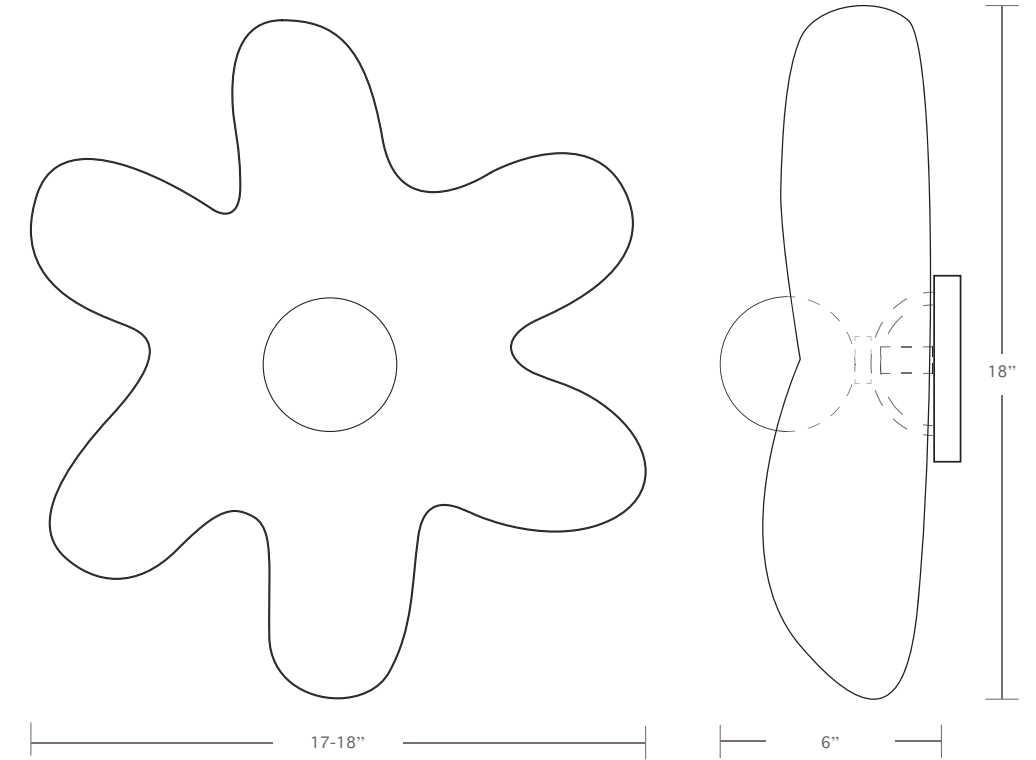
\$1800

METAL FINISH OPTIONS

- copper
- brass

CLAY BODY OPTIONS

-  white sand
-  skin #1
white sand
-  terra cotta
skin #1
-  brown clay
terra cotta



CLAY BODY PAINT OPTIONS

We use a fine art french paint called Fleur, see custom colors at:
www.fleurpaint.com/en/chalky-look/

GLAZE OPTIONS +\$150

Please refer to the S&C PDF for glaze color options



MATERIALS

- ceramic
- metal parts

CERTIFICATION



BULB SPECS, COLOR TEMPERATURE

Soft White LED, CRI 95
 6w G25 Medium (E26) 250 Lumens

*Porcelain Bulbs to be included upon request

OTHER INFO

standard blackpate for sconces
 (unless specified otherwise, fee applies)

VOLTAGE

120v - 277v

PULL SWITCH

choices of ceramic beads available
 no pull switch also available



Puffy Daisy sconce

\$1800

METAL FINISH OPTIONS

- copper
- brass

CLAY BODY OPTIONS

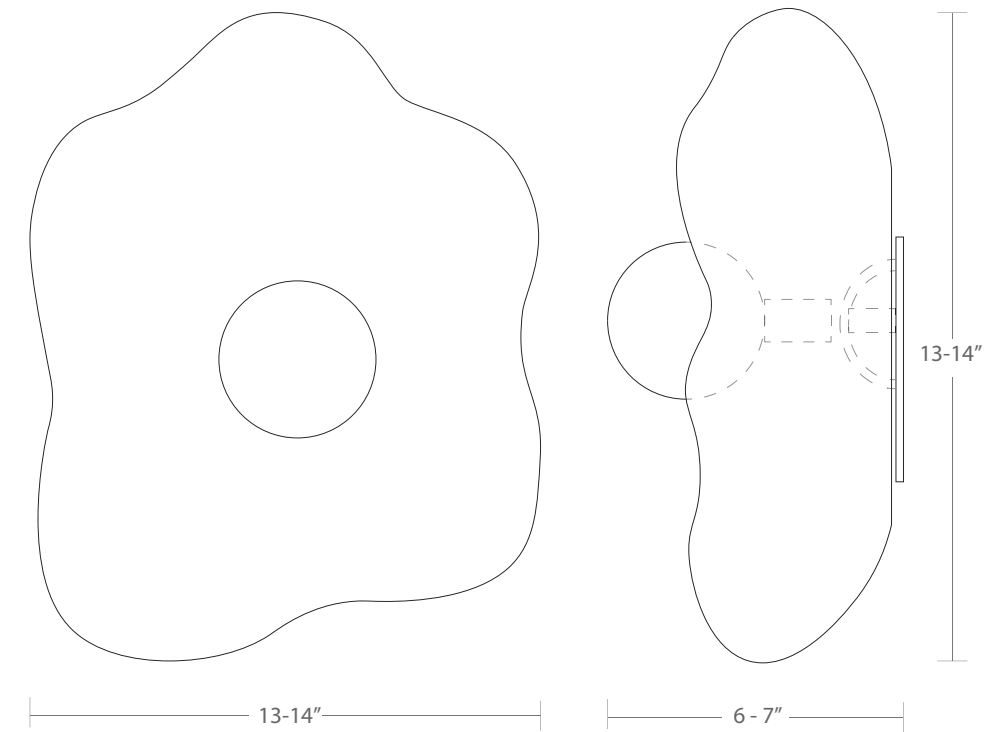
-  white sand
-  skin #1
-  terra cotta
-  brown clay

CLAY BODY PAINT OPTIONS

We use a fine art french paint called Fleur, see custom colors at:
www.fleurpaint.com/en/chalky-look/

GLAZE OPTIONS +\$150

Please refer to the S&C PDF for glaze color options



MATERIALS

- ceramic
- metal parts

OTHER INFO

standard blackpate for sconces
(unless specified otherwise, fee applies)

CERTIFICATION



VOLTAGE

120v - 277v

BULB SPECS, COLOR TEMPERATURE

Soft White LED, CRI 95
6w G25 Medium (E26) 250 Lumens

*Porcelain Bulbs to be included upon request

PULL SWITCH

choices of ceramic beads available
no pull switch also available



Stitch table

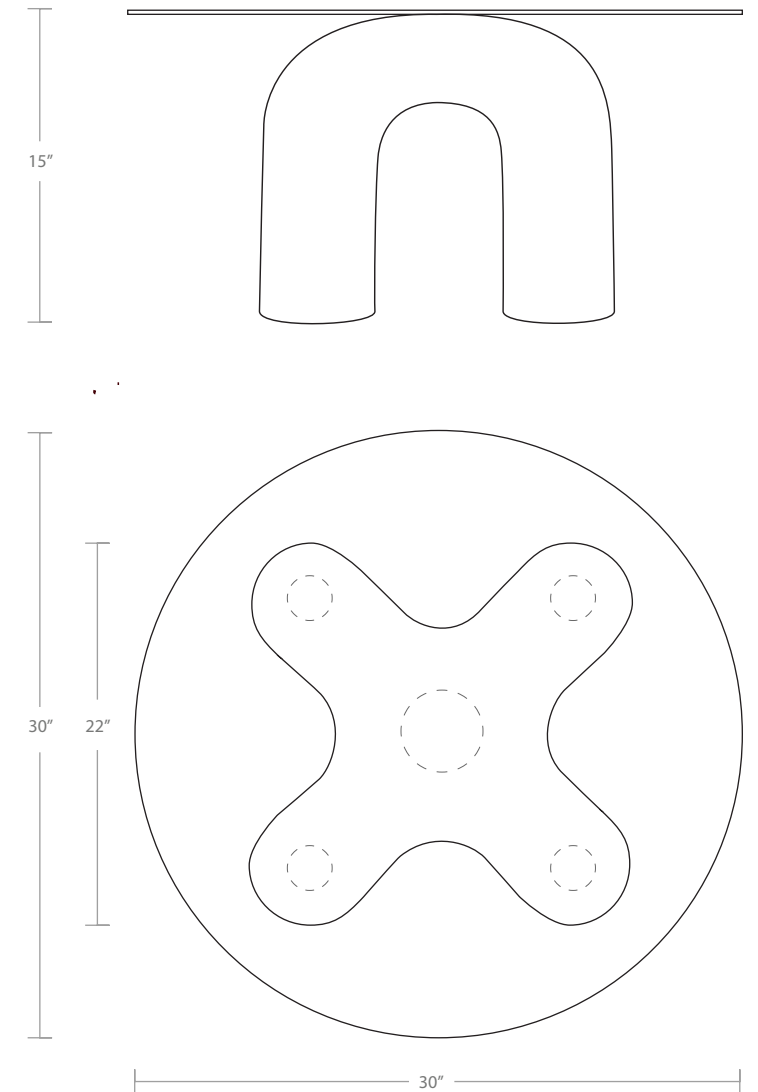
Ceramic Unglazed \$5000
 Custom Painted \$4600

CLAY BODY OPTIONS

-  *white sand*
-  *skin #1*
-  *terra cotta*
-  *brown clay*

CLAY BODY PAINT OPTIONS

We use a fine art french paint called Fleur, see custom colors at:
www.fleurpaint.com/en/chalky-look/



MATERIALS

- handbuilt ceramic base
- glass top, tempered, pencil finish
1/2" thick

OTHER INFO

- table top sits on silicone pads that are attached to ceramic base
- although glazed options can be safe outdoors (water-proof) we don't recommend them to stay outside during winter in regions where temperature can drop to freezing point
- maintenance: use magic eraser for any dirt scratches



Stitch stool ceramic

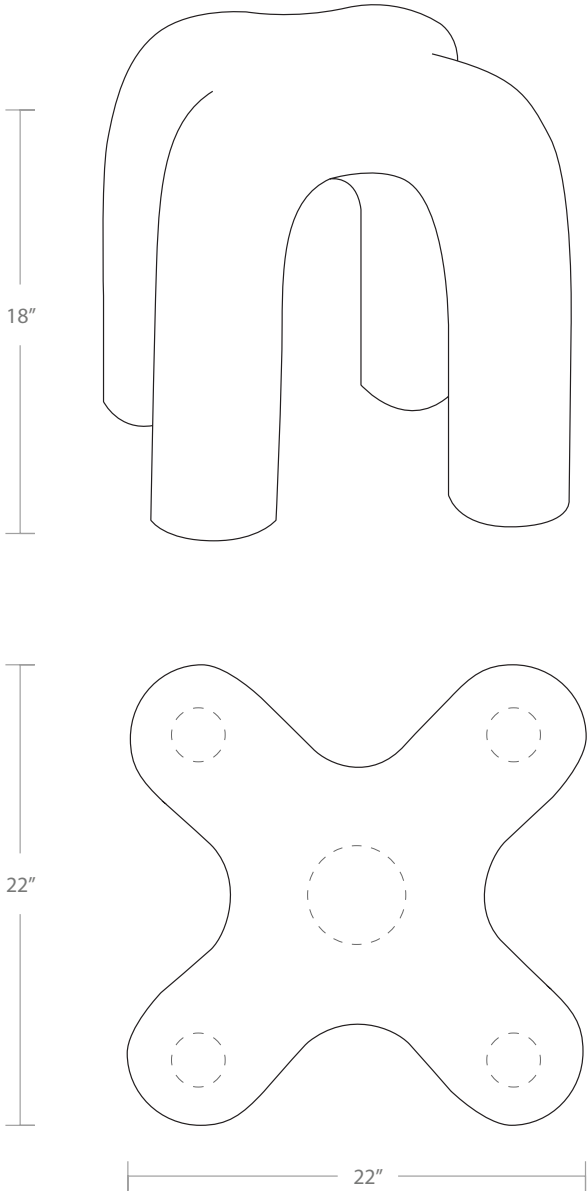
Ceramic Glazed \$4800
Ceramic Unglazed \$4400

CLAY BODY OPTIONS

-  white sand
-  skin #1
-  terra cotta
-  brown clay

GLAZE OPTIONS +\$150

Please refer to the S&C PDF for glaze color options



MATERIALS

- ceramic base
- felt pads under feet

OTHER INFO

- although glazed options can be safe outdoors (water-proof) we don't recommend them to stay outside during winter in regions where temperature can drop to freezing point
- maintenance: use magic eraser for any dirt scratches

Stitch stool boucle

Upholstered \$2800
COM order \$2200

FABRIC OPTIONS



COZY
LAMB



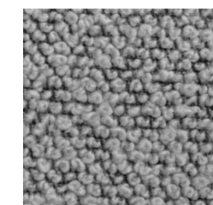
COZY
FLOCK



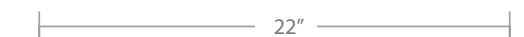
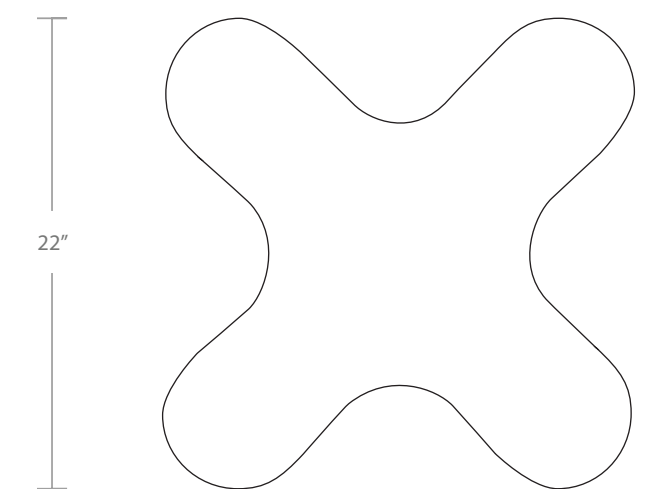
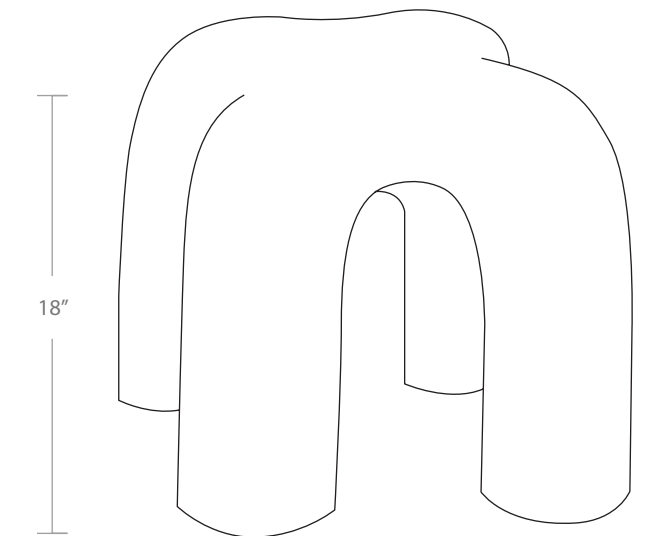
COZY
STOLE



COZY
NEST



COZY
DOWNY



MATERIALS

-wooden structure
-97% wool, 3% nylon

COM ORDERS REQUIREMENTS

-no repeat pattern
-must be a textural fabric
as hand-stitching is involved
-sample submit prior to order

OTHER FABRIC INFO


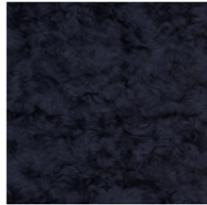





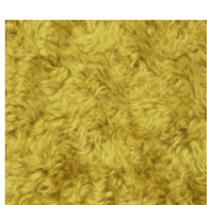
-ABRASION: 20,000 cycles Martindale
-FLAMMABILITY: California Technical Bulletin 117-2013
-MAINTENANCE: Clean with mild, water-free dry cleaning solvent
-ENVIRONMENTAL: Healthier Hospitals Compliant, Contains Bio-Based Materials, Contains Rapidly Renewable Materials, FR Free, Greenguard and Greenguard Gold Certified
-LEED: Contributes to LEED IEQ Credit 4.5 - low emitting materials, systems furniture & seating; contributes to LEED MR Credit 6 - rapidly renewable materials
-COUNTRY OF ORIGIN: United Kingdom

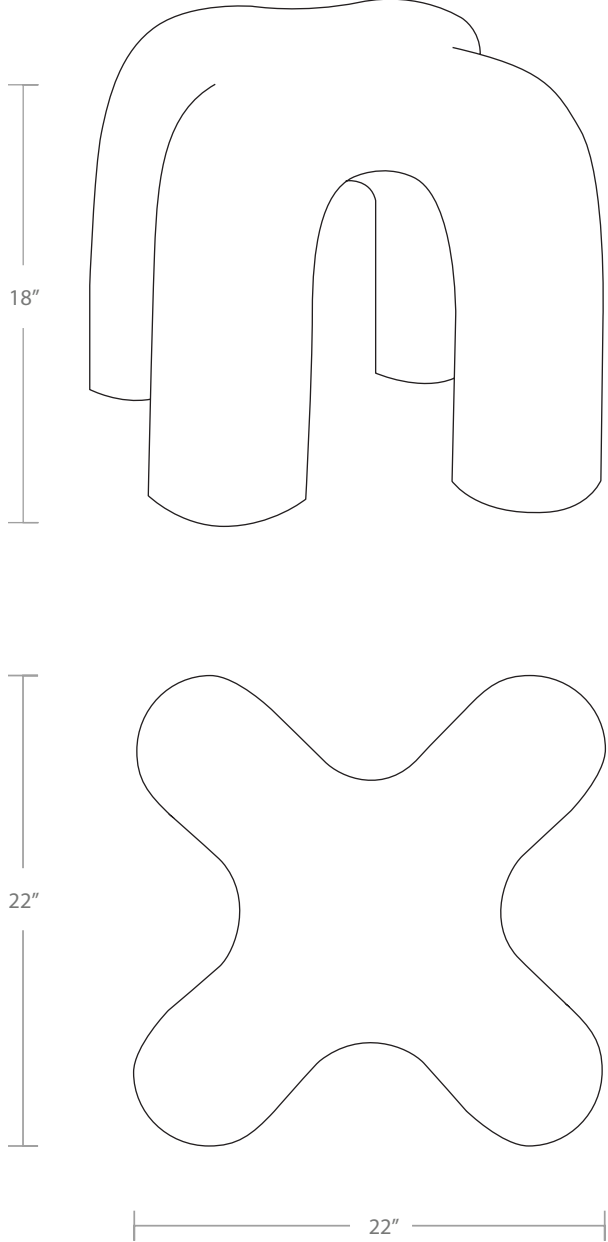


Stitch stool mohair

Upholstered \$2800
 COM order \$2200

FABRIC OPTIONS

 0112	 0752
 0633	 0982
 0743	 0132
 0343	 0443



MATERIALS

-100% mohair (pile)

COM ORDERS REQUIREMENTS

- no repeat pattern
- must be a textural fabric as hand-stitching is involved
- sample submit prior to order

OTHER FABRIC INFO

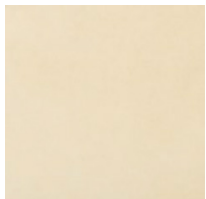
- ABRASION: 25,000 cycles Martindale
- FLAMMABILITY: EN 1021-1/2, US Cal. Tech. Bull. 117, Sec. E
- MAINTENANCE: Vaccuming and dry cleaning
- ENVIRONMENTAL: No use of AZO dyes, which may split off carcinogenic acrylamines, no dyes containing heavy metals/complies with ETAD norm
Complies with REACH regulation
- COUNTRY OF ORIGIN: Germany



BB stool cotton velvet

Single \$1600

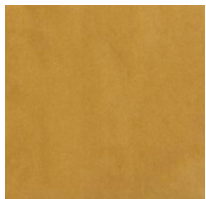
FABRIC OPTIONS



111



116



014



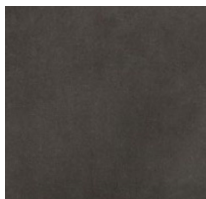
110



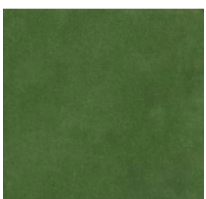
115



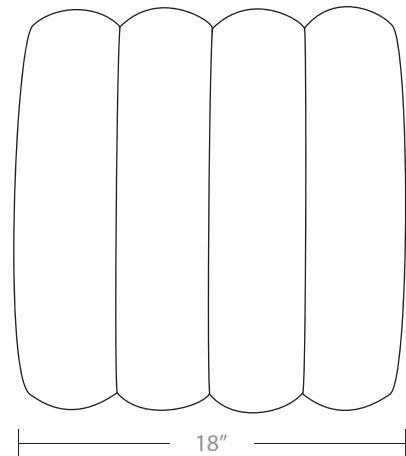
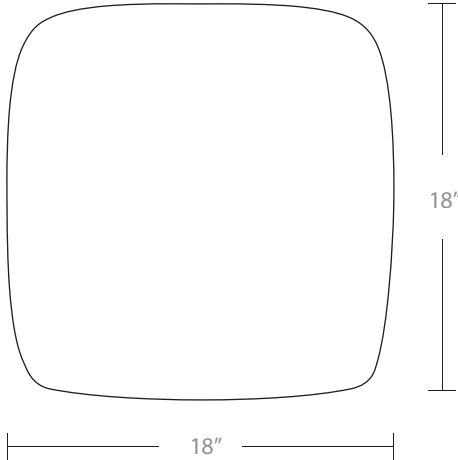
515



2100



013



MATERIALS

- Kravet 100% Cotton Velvet

OTHER INFO.

- wooden structure
- COM orders available (+\$1200)
- rushed orders with small fee available



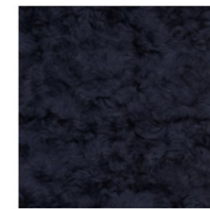
Asterisk chair mohair

Upholstered \$5200

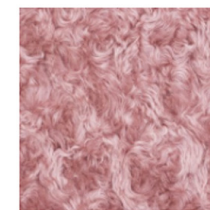
FABRIC OPTIONS



0112



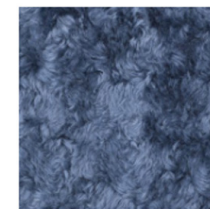
0752



0633



0982



0743



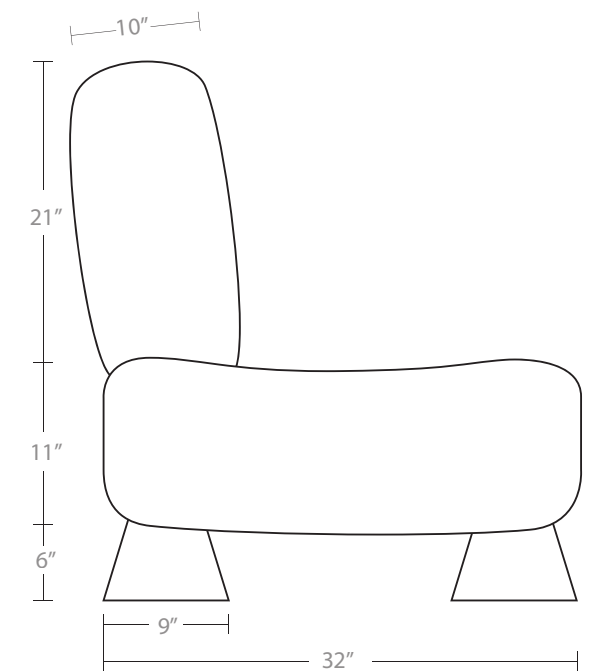
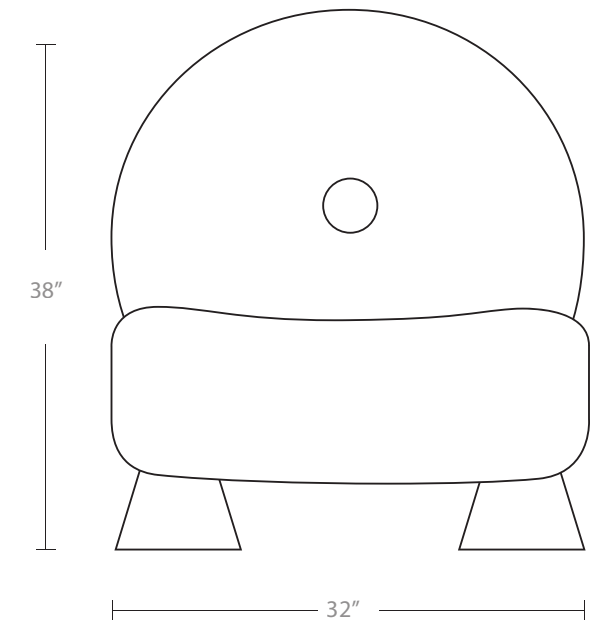
0132



0343



0443



MATERIALS

-100% mohair (pile)

COM ORDERS REQUIREMENTS

-no repeat pattern
 -must be a textural fabric
 as hand-stitching is involved
 -sample submit prior to order

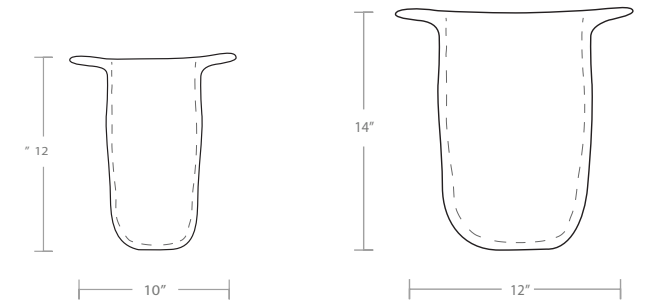
OTHER FABRIC INFO

-ABRASION: 25,000 cycles Martindale
 -FLAMMABILITY: EN 1021-1/2, US Cal. Tech. Bull. 117, Sec. E
 -MAINTENANCE: Vacuuming and dry cleaning
 -ENVIRONMENTAL: No use of AZO dyes, which may split off carcinogenic acrylamines, no dyes containing heavy metals/complies with ETAD norm
 Complies with REACH regulation
 -COUNTRY OF ORIGIN: Germany



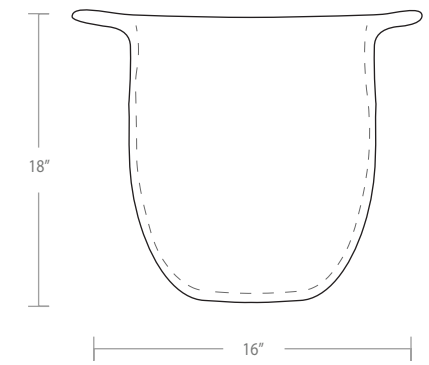
Tulip planter

- Small \$600
- Medium \$900
- Large \$1200
- X Large \$2000



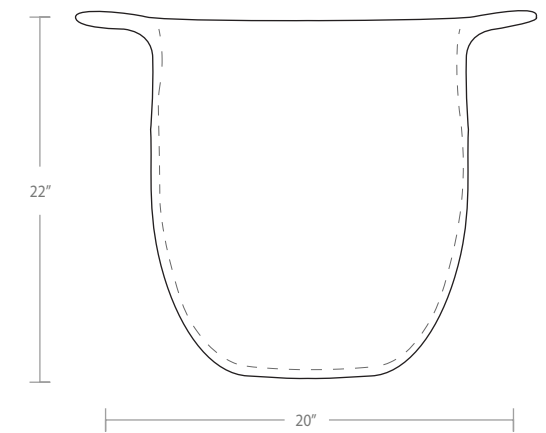
CLAY BODY OPTIONS

-  white sand
-  skin #1
-  terra cotta
-  brown clay



GLAZE OPTIONS +\$150

Please refer to the S&C PDF for glaze color options



MATERIALS

-ceramic base

OTHER INFO

-the Tulip Planters do not come with a plate or hole on the bottom. We recommend a layer of rocks beneath the soil to protect the roots.

-plate and hole can be added for an additional fee.



Lumpy vase

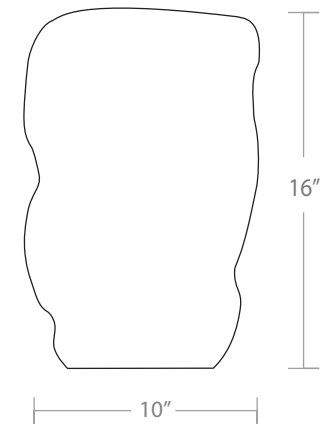
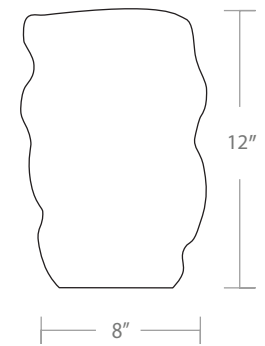
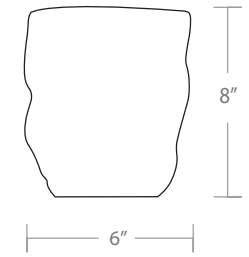
- Small \$320
- Medium \$460
- Large \$620

CLAY BODY OPTIONS

-  white sand
-  skin #1
-  terra cotta
-  brown clay

GLAZE OPTIONS +\$150

Please refer to the S&C PDF for glaze color options



MATERIALS

-ceramic base

OTHER INFO

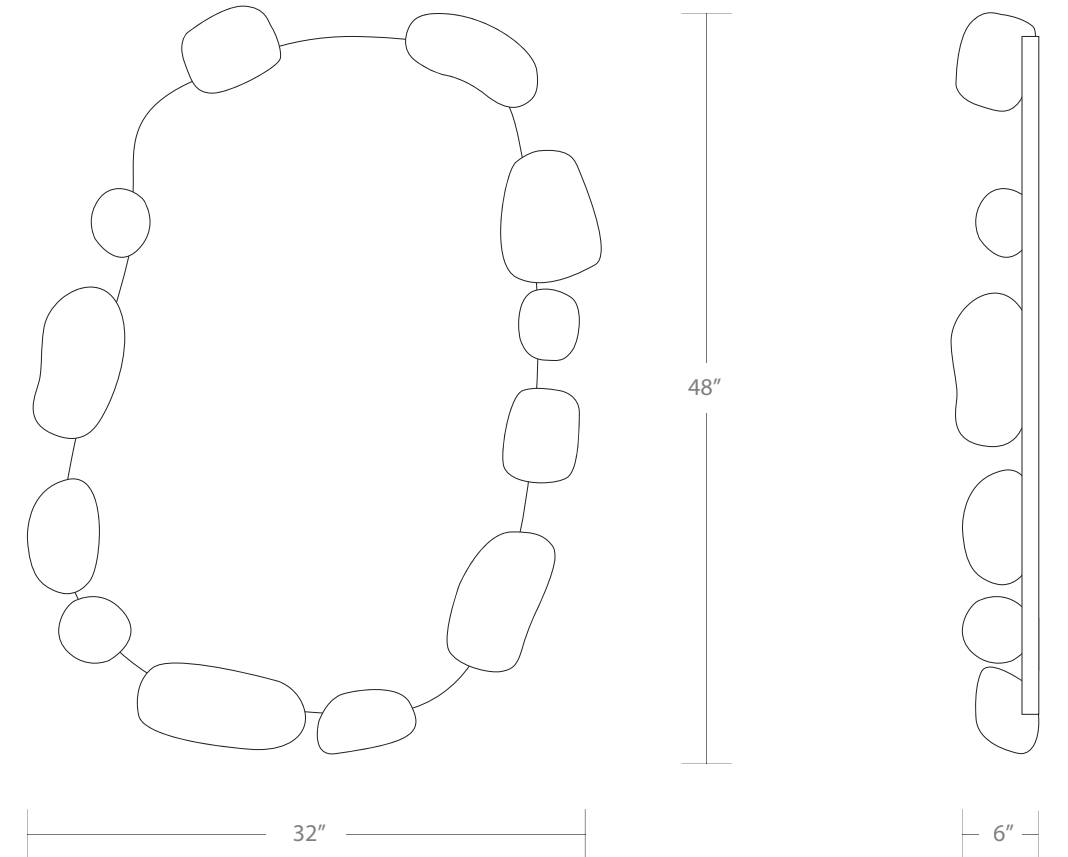
-clay body options are clear glazed on the inside

Colar mirror

Starting at \$5200

"PEBBLE" OPTIONS

- molded leather
- ceramic



MATERIALS

- plywood backing
- leather or ceramic pebbles

OTHER INFO

- size of mirror and pebble amount / color can be customized
- french cleats for install





Domino rug

- 5' x 8' \$1300
- 6' x 9' \$1850
- 8' x 10' \$2200
- 9' x 12' \$2800

COLOR OPTIONS



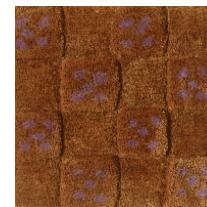
grass



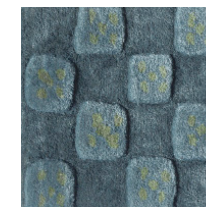
plum



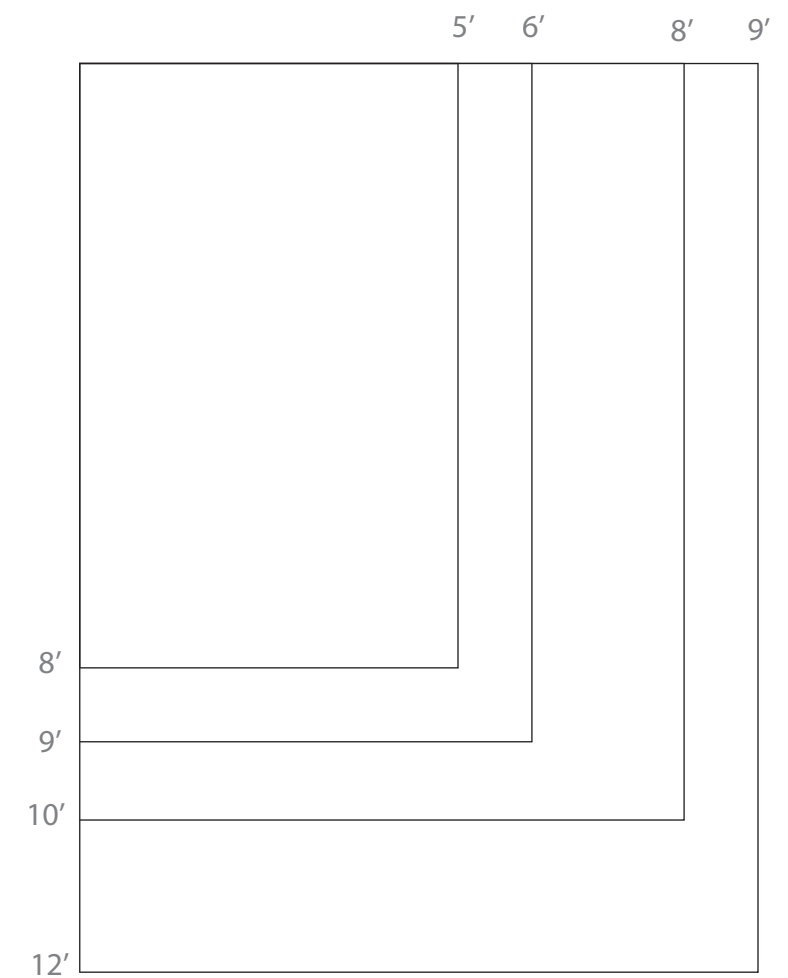
pear



chocolate



trout



MATERIALS

- wool & bamboo silk fibers

OTHER INFO

- in collaboration with print designer Spencer Malinski
- custom sizing available upon request
- made in India
- lead time of 6-8 weeks



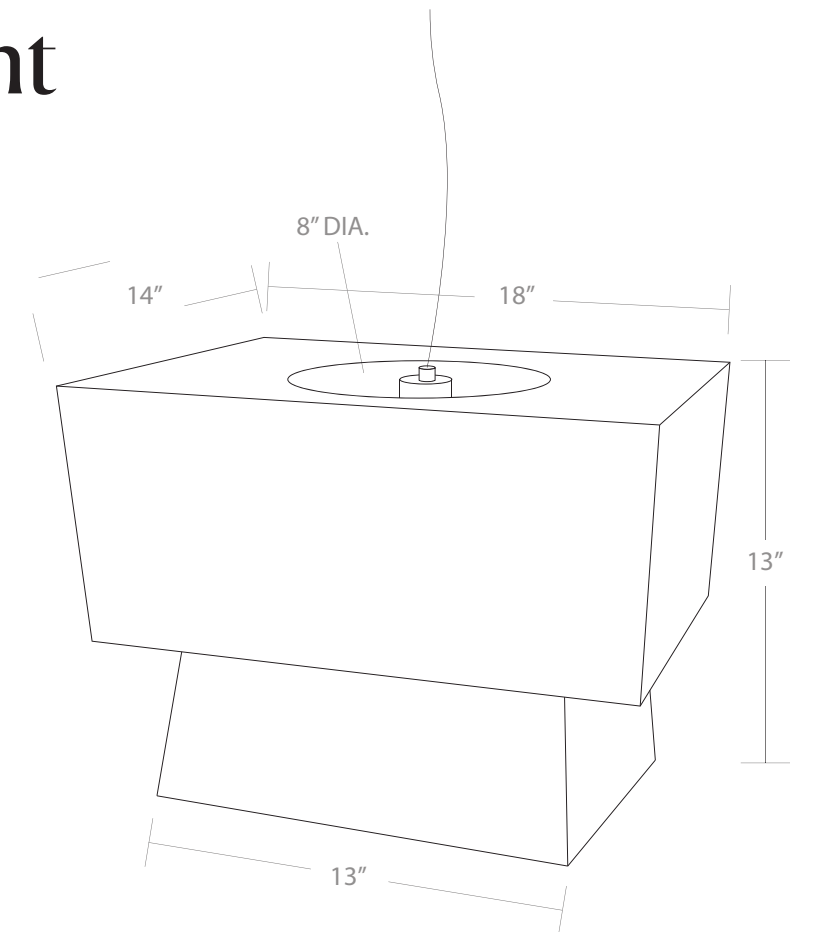
At Home pendant

With (2) Bows \$1620
No Bows \$1720

METAL FINISH OPTIONS

- copper-plated
- polished brass
- polished nickel

FABRIC WRAPPING OPTIONS



MATERIALS

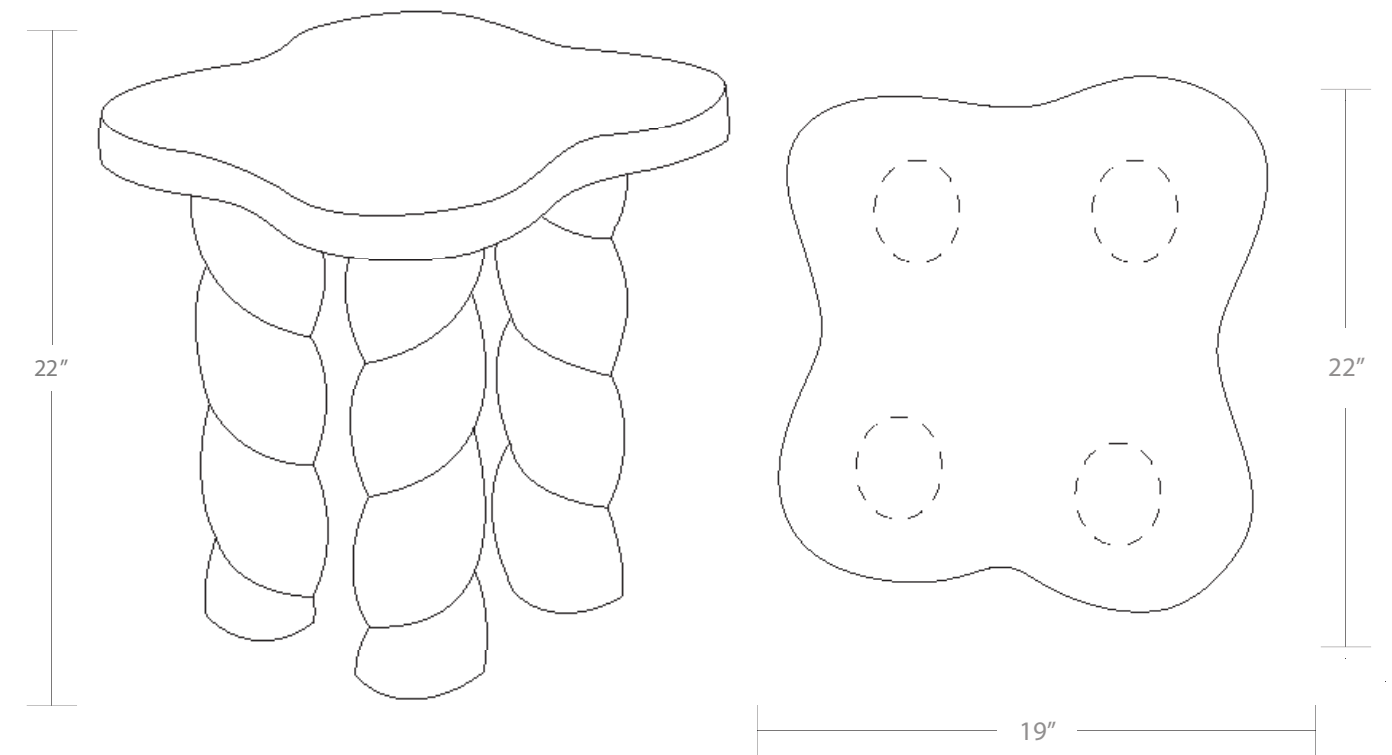
- linen shades
- welded steel structure

OTHER INFO

- lead time of 6-8 weeks
- E26 base
- includes 6' nylon-wrapped cord

Rope stool

\$5600



MATERIALS

- solid white oak
- satin osmo finish

OTHER INFO

- hand sculpted



eny

please see our Terms & Conditions at
www.enyleeparker.com/terms-and-conditions